

NO.	PART NUMBER	DESCRIPTION	QTY.	TH	W	L	Material	Volume inches^3
1	Part1		1	3/4"	1 1/2"	13"	Oak	14.04
2	Part2		1	3/4"	1 1/2"	10 3/8"	Oak	11.31
3	Part3		1	3/4"	1 1/2"	11 5/16"	Oak	11.66
4	screw M4 x 40 (#8 x 1-1,2in. Flat Head)	Wood Screw Phillips Flat Head #8 x 1-1/2"	2				Steel	
5	screw M4 x 30 (#8 x 1-1,4in. Flat Head)	Wood Screw Phillips Flat Head #8 x 1-1/4"	4				Steel	
6	screw M5 x 50 (#10 x 2in. Flat Head)	Wood Screw Phillips Flat Head #10 x 2"	2				Steel	

Web Site: www.Eoutset.com			TITLE: <h1>Assembly Drawing</h1>		
DRAWN	NAME Bright Bai	DATE 2016/4/13	MATERIAL:		
Created Date: 2016/4/13 17:51:23		FINISH:		DWG NO.	
Last Save Date: 2016/4/13 17:59:51		Volume: 37.22 inches^3		Wood Shelf Bracket - Oak Concave 11 Inch	
Author Email: brightbai@hotmail.com		Weight: 0.76 pounds		A4	
SCALE: 1:3			SHEET 1 OF 2		REVISION

A

B

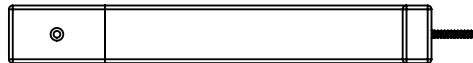
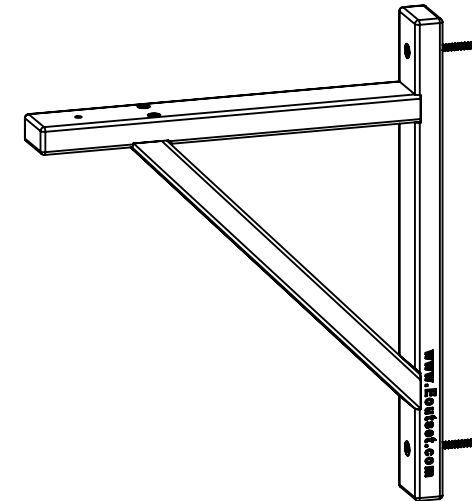
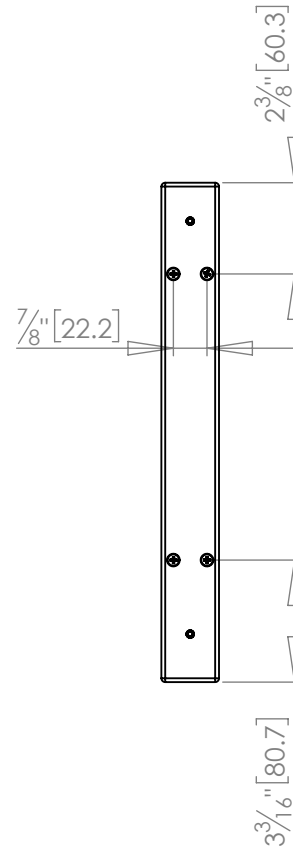
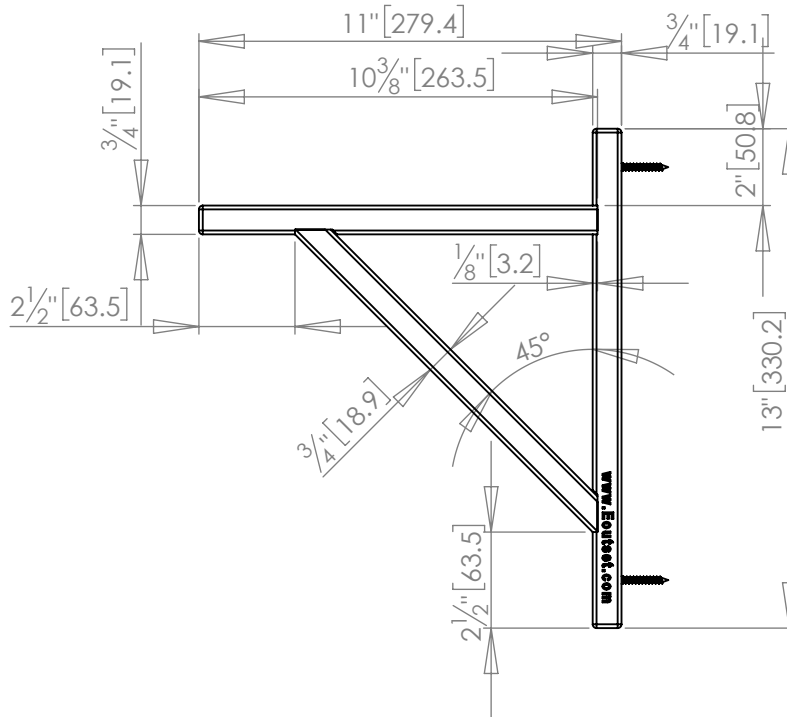
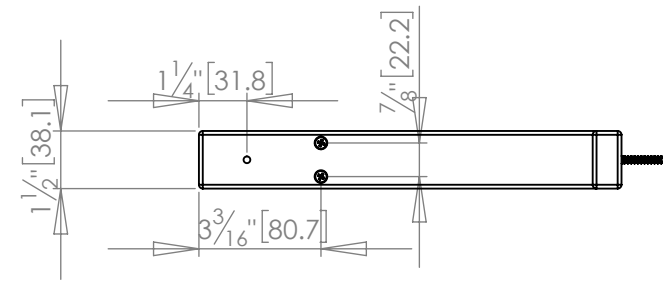
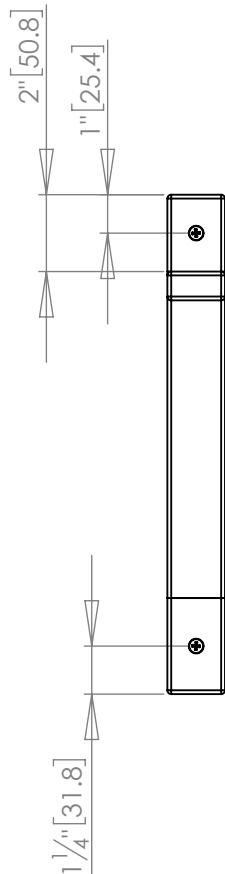
C

D

A

B

C



Web Site:		www.Eoutset.com		TITLE:	
	NAME	DATE	MATERIAL:		
DRAWN	Bright Bai	2016/4/13			
Created Date: 2016/4/13 17:51:23			FINISH:		
Last Save Date: 2016/4/13 17:59:51			Volume: 37.22 inches^3		
Author Email: brightbai@hotmail.com			Weight: 0.76 pounds		

<h1 style="text-align: center;">Assembly Drawing</h1>		A4
SCALE: 1:5	SHEET 2 OF 2	REVISION

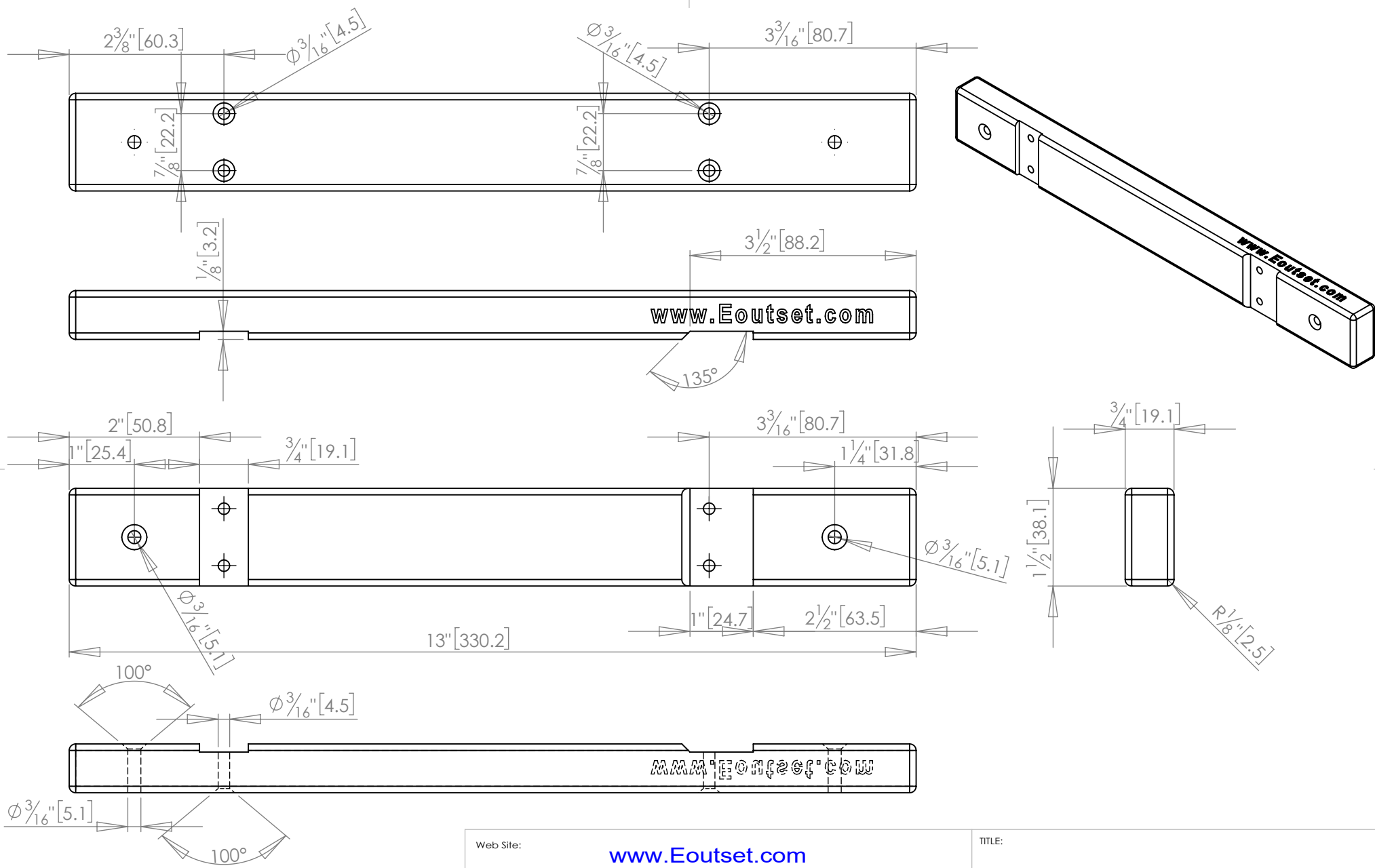
1

2

4

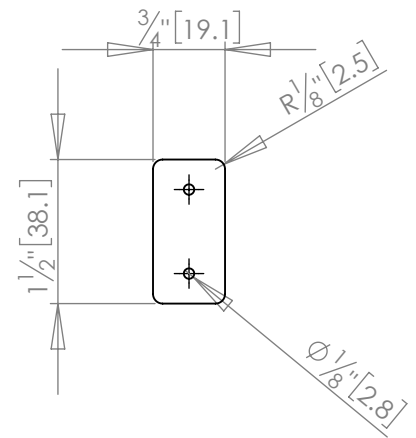
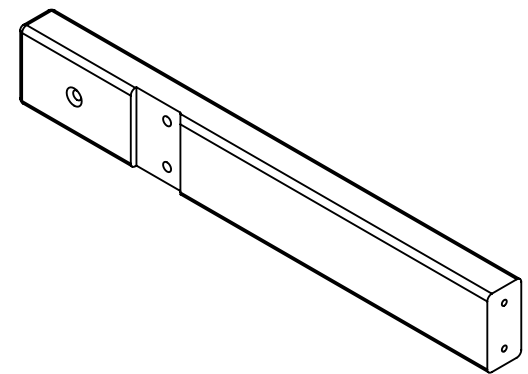
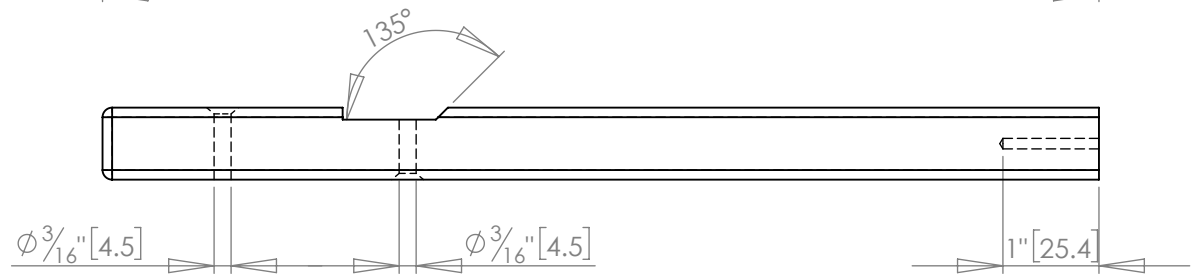
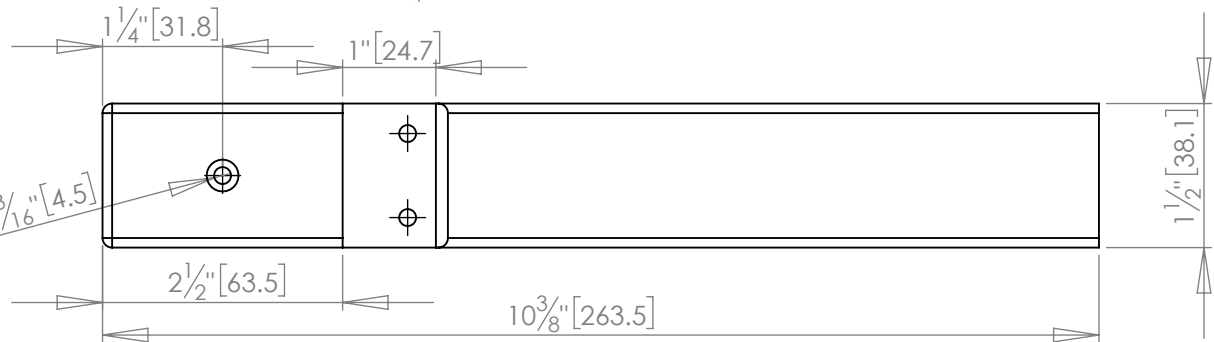
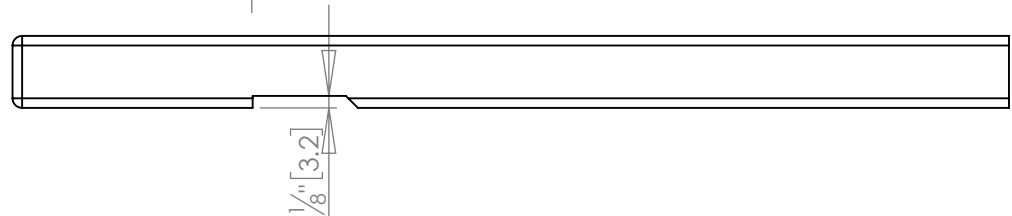
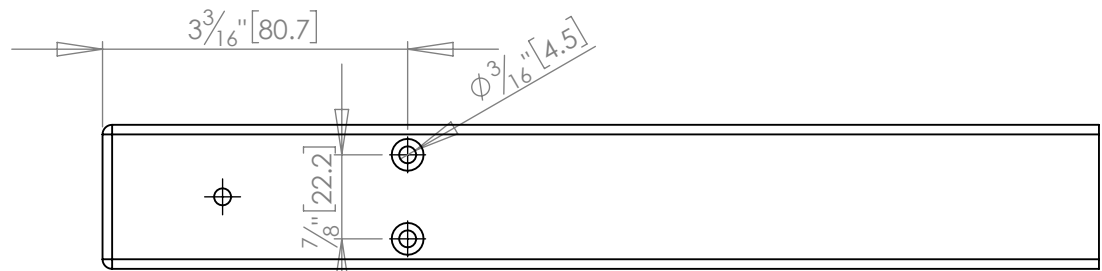
5

6

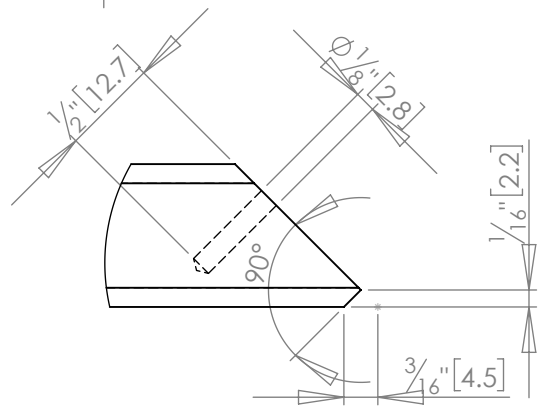
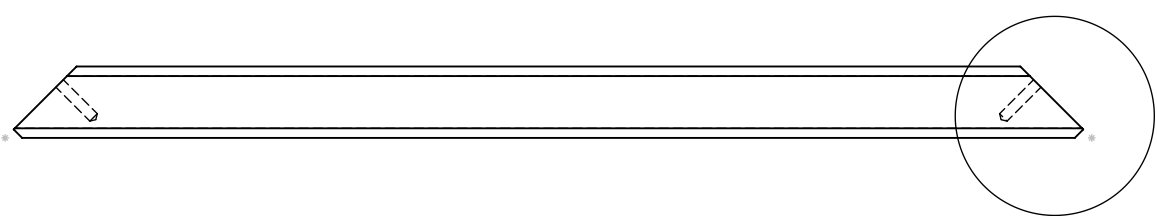
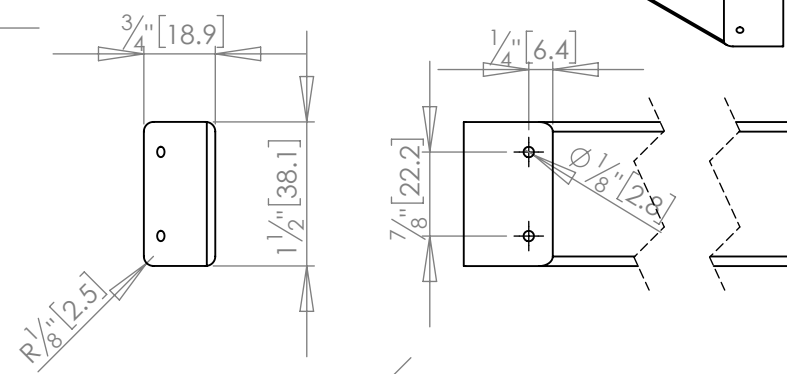
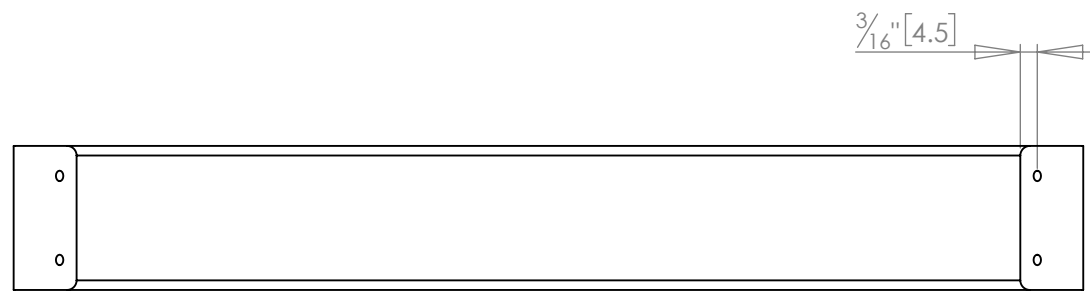
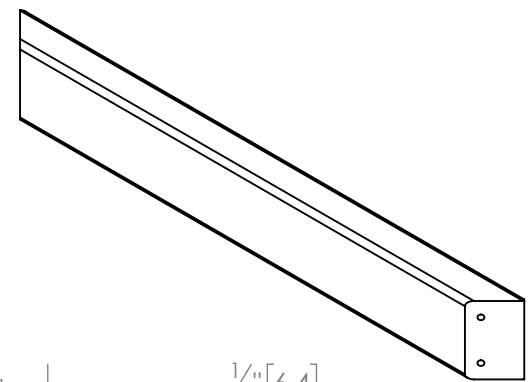
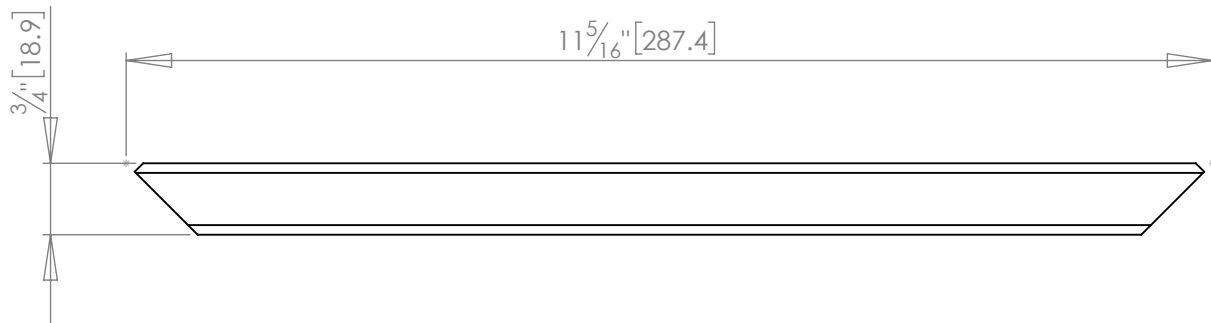


Web Site: www.Eoutset.com			TITLE:	
DRAWN	NAME	DATE	MATERIAL: Oak	
	Bright Bai	2016/4/13		
Created Date: 2016/4/13 16:31:02			FINISH:	
Last Save Date: 2016/4/13 16:39:54			Volume: 14.04 inches^3	
Author Email: brightbai@hotmail.com			Weight: 0.28 pounds	
			DWG NO.	
			SCALE: 1:2	
			SHEET 1 OF 1	
			REVISION	

Part1 A4



Web Site: www.Eoutset.com			TITLE:	
DRAWN	NAME	DATE	MATERIAL:	Part2
	Bright Bai	2016/4/13	Oak	
Created Date: 2016/4/13 16:40:14			FINISH:	
Last Save Date: 2016/4/13 17:41:45			Volume: 11.31 inches^3	
Author Email: brightbai@hotmail.com			Weight: 0.23 pounds	DWG NO. A4
			SCALE: 1:2	SHEET 1 OF 1
			REVISION	



DETAIL A
SCALE 1 : 1

Web Site: www.Eoutset.com			TITLE:	
DRAWN	NAME Bright Bai	DATE 2016/4/13	MATERIAL: Oak	
Created Date: 2016/4/13 17:41:59		FINISH:		DWG NO.
Last Save Date: 2016/4/13 17:50:50		Volume: 11.66 inches^3		Part3
Author Email: brightbai@hotmail.com		Weight: 0.24 pounds		A4
SCALE: 1:2		SHEET 1 OF 1		REVISION