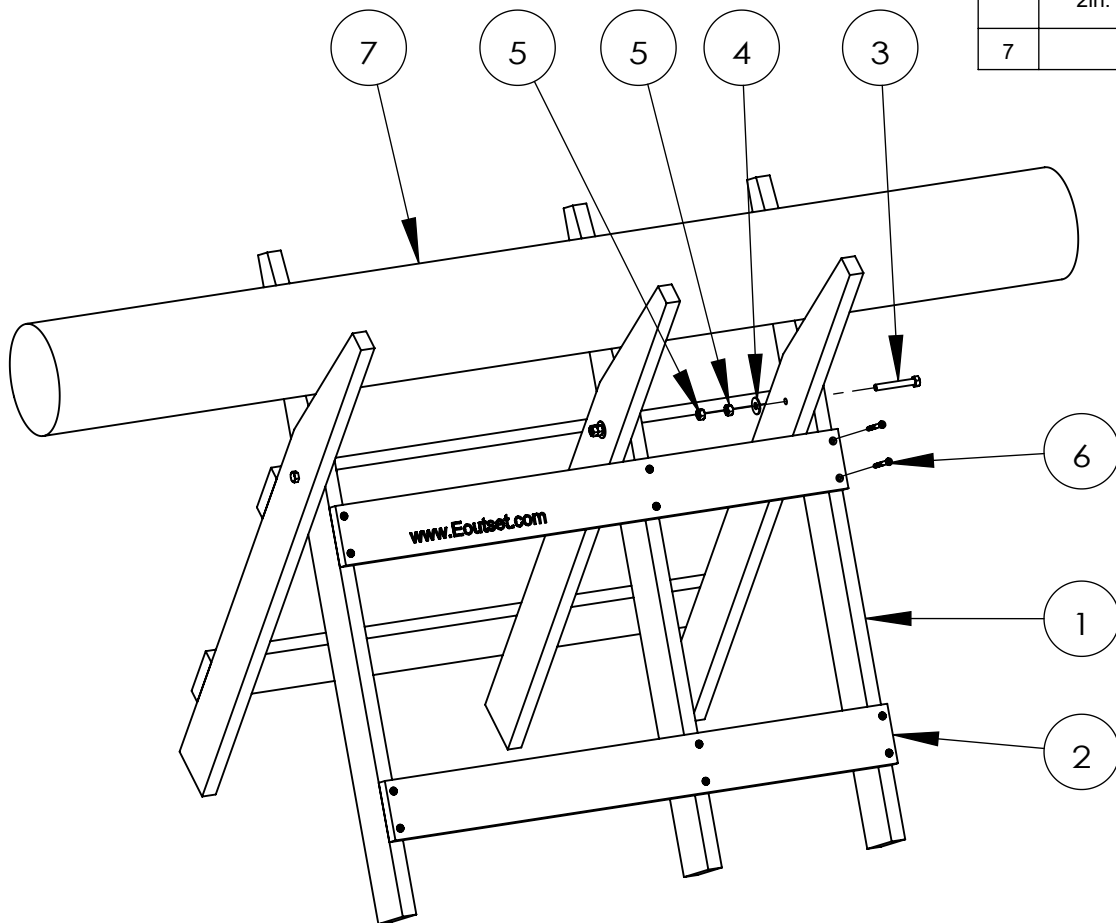
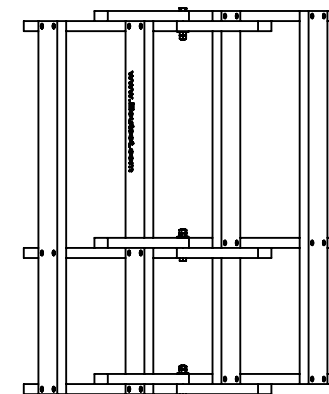
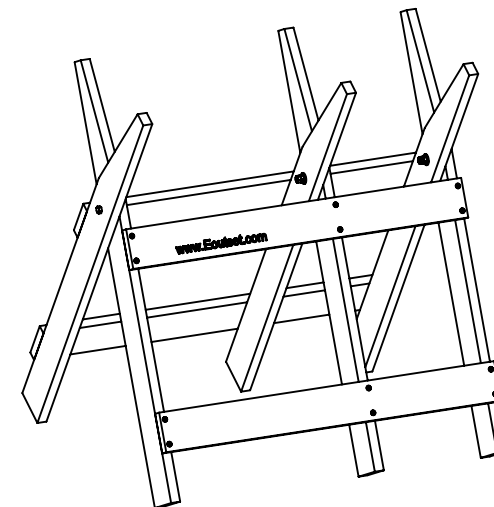
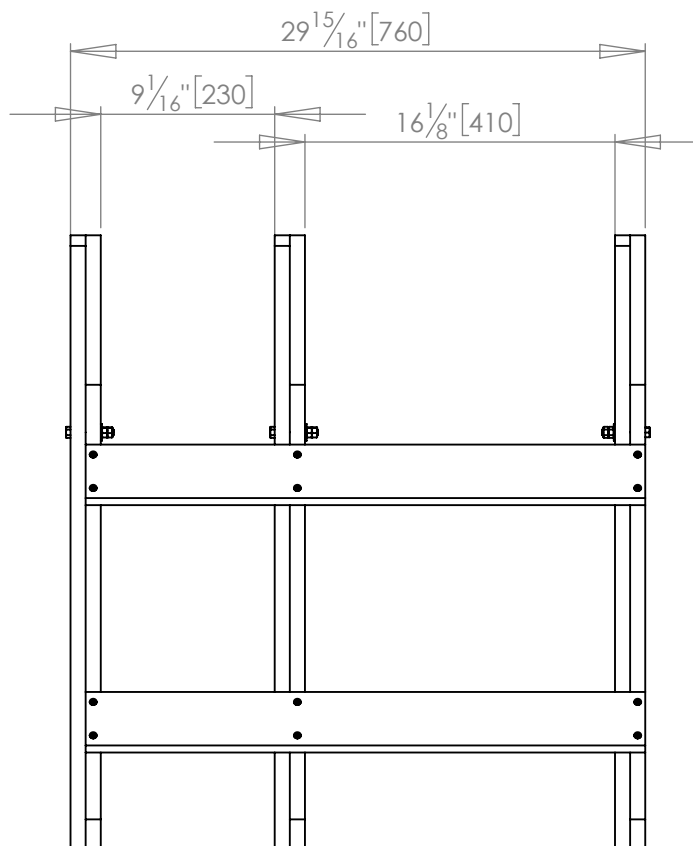
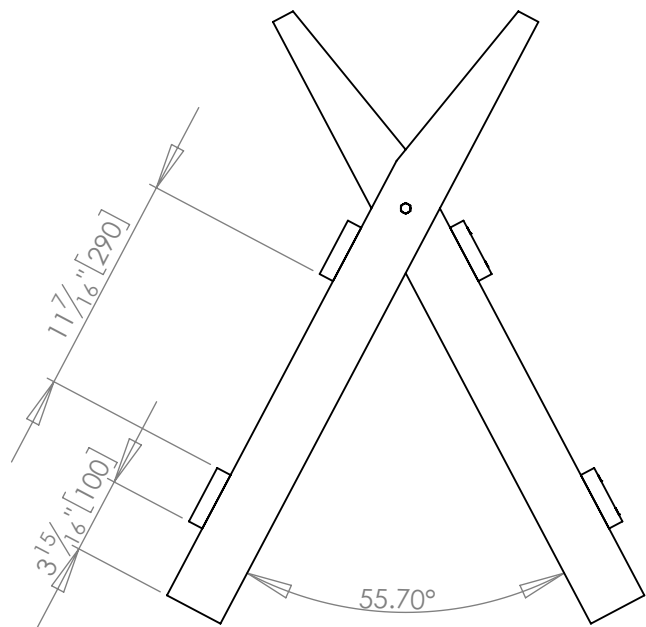


NO.	PART NUMBER	DESCRIPTION	Default/QTY.	TH	W	L	Material	Volume inches^3
1	Part1	foot	6	13/16"	3 1/8"	35 7/16"	Beech	1313994.69
2	Part2	horizontal	4	13/16"	3 1/8"	29 1/8"	Beech	1181255.67
3	HBOLT 0.3125-24x2.25x0.875-C		3					
4	Regular FW 0.3125		3					
5	HNUT 0.3125-24-D-N		6					
6	screw M5 x 50 (#10 x 2in. Flat Head)	Wood Screw Phillips Flat Head #10 x 2"	24				Steel	
7	Part3	wood	1					26507188.01

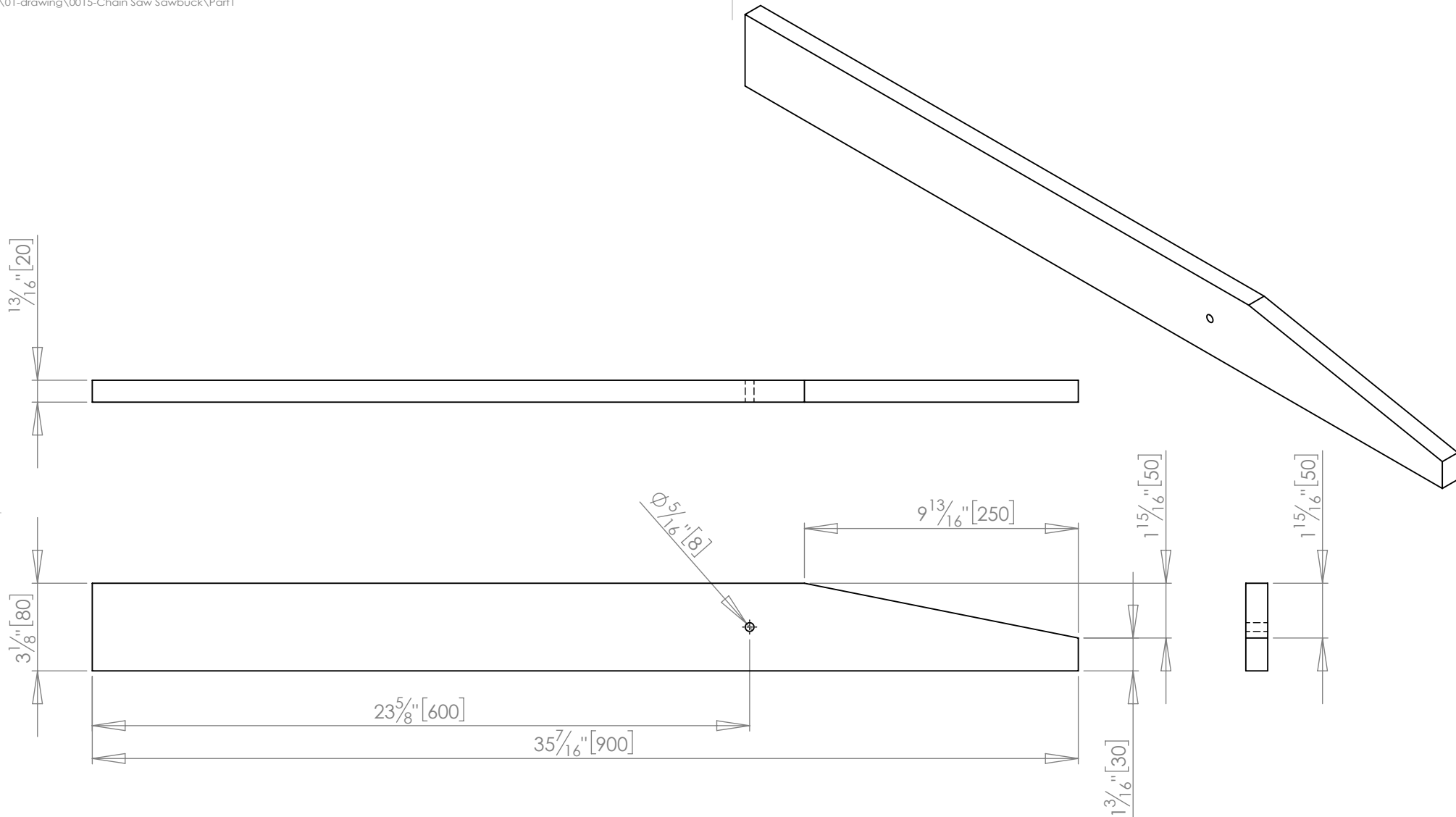


Web Site: www.Eoutset.com			TITLE: Assembly Drawing		
DRAWN	NAME: Bright Bai	DATE: 2016/3/30	MATERIAL:		
Created Date: 2016/3/30 19:46:13			FINISH:		
Last Save Date: 2016/3/30 20:25:00			Volume: 39145597.04 inches^3		
Author Email: brightbai@hotmail.com			Weight: 16105.27 pounds		
DWG NO. Chain Saw Sawbuck			A4		
SCALE: 1:50			SHEET 1 OF 2		REVISION

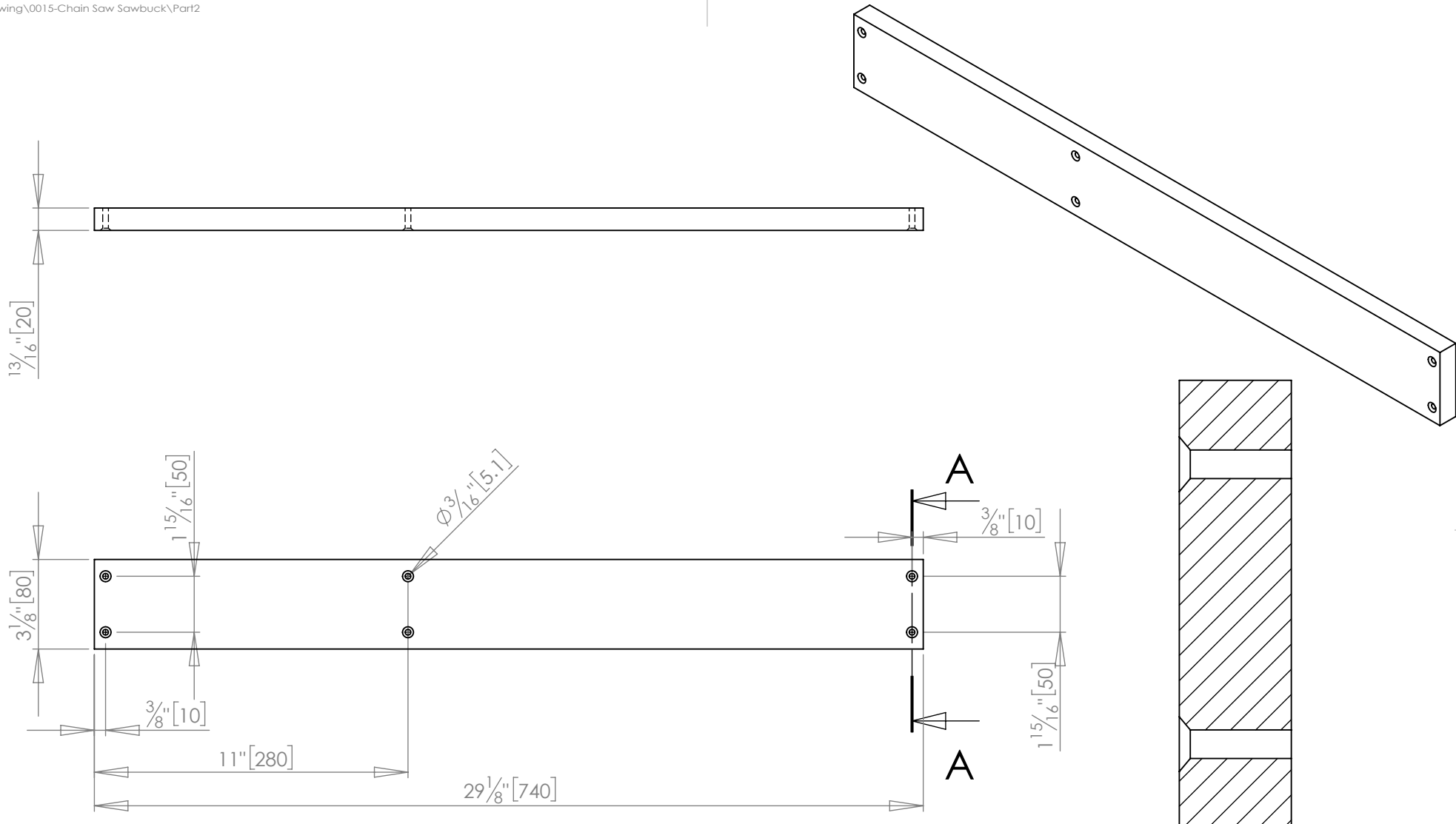


Web Site:		www.Eoutset.com	
DRAWN	NAME	DATE	MATERIAL:
	Bright Bai	2016/3/30	
Created Date:		2016/3/30 19:46:13	FINISH:
Last Save Date:		2016/3/30 20:25:00	Volume: 39145597.04 inches^3
Author Email:		brightbai@hotmail.com	Weight: 16105.27 pounds

TITLE:		Assembly Drawing	
DWG NO.		Chain Saw Sawbuck	
SCALE: 1:20		SHEET 2 OF 2	
REVISION		A4	



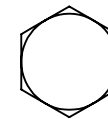
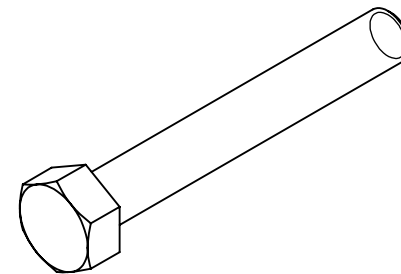
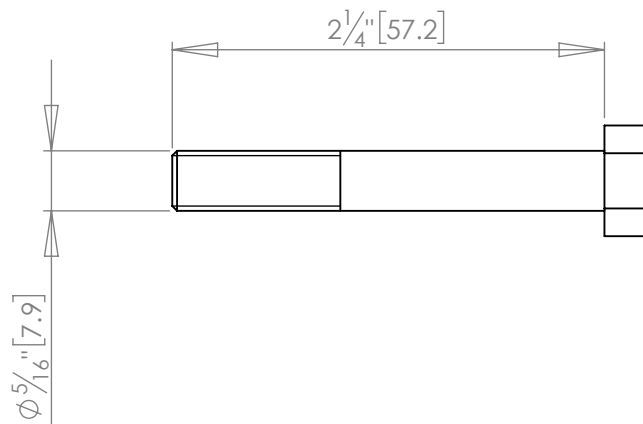
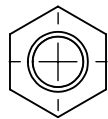
Web Site: www.Eoutset.com			TITLE: foot	
DRAWN	NAME Bright Bai	DATE 2016/3/30	MATERIAL: Beech	
Created Date: 2016/3/30 19:37:11		FINISH:		DWG NO.
Last Save Date: 2016/3/30 19:40:42		Volume: 1313994.69 inches^3		Part1
Author Email: brightbai@hotmail.com		Weight: 735.84 pounds		A4
SCALE: 1:5			SHEET 1 OF 1	
REVISION				



SECTION A-A
SCALE 1 : 1

Web Site: www.Eoutset.com			TITLE: horizontal	
DRAWN	NAME Bright Bai	DATE 2016/3/30	MATERIAL: Beech	
Created Date: 2016/3/30 19:40:54		FINISH:		DWG NO.
Last Save Date: 2016/3/30 19:45:59		Volume: 1181255.67 inches^3		Part2
Author Email: brightbai@hotmail.com		Weight: 661.50 pounds		A4
SCALE: 1:5			SHEET 1 OF 1	
REVISION				

hex bolt_ai



Web Site: www.Eoutset.com			TITLE:		
DRAWN	NAME Bright Bai	DATE 2016/3/30	MATERIAL:		
Created Date: 2016/3/30 20:45:14		FINISH:		DWG NO.	
Last Save Date: 2016/3/30 20:46:37		Volume: inches^3		hex bolt_ai	
Author Email: brightbai@hotmail.com		Weight: pounds		SCALE: 1:1	A4
			SHEET 1 OF 1		REVISION