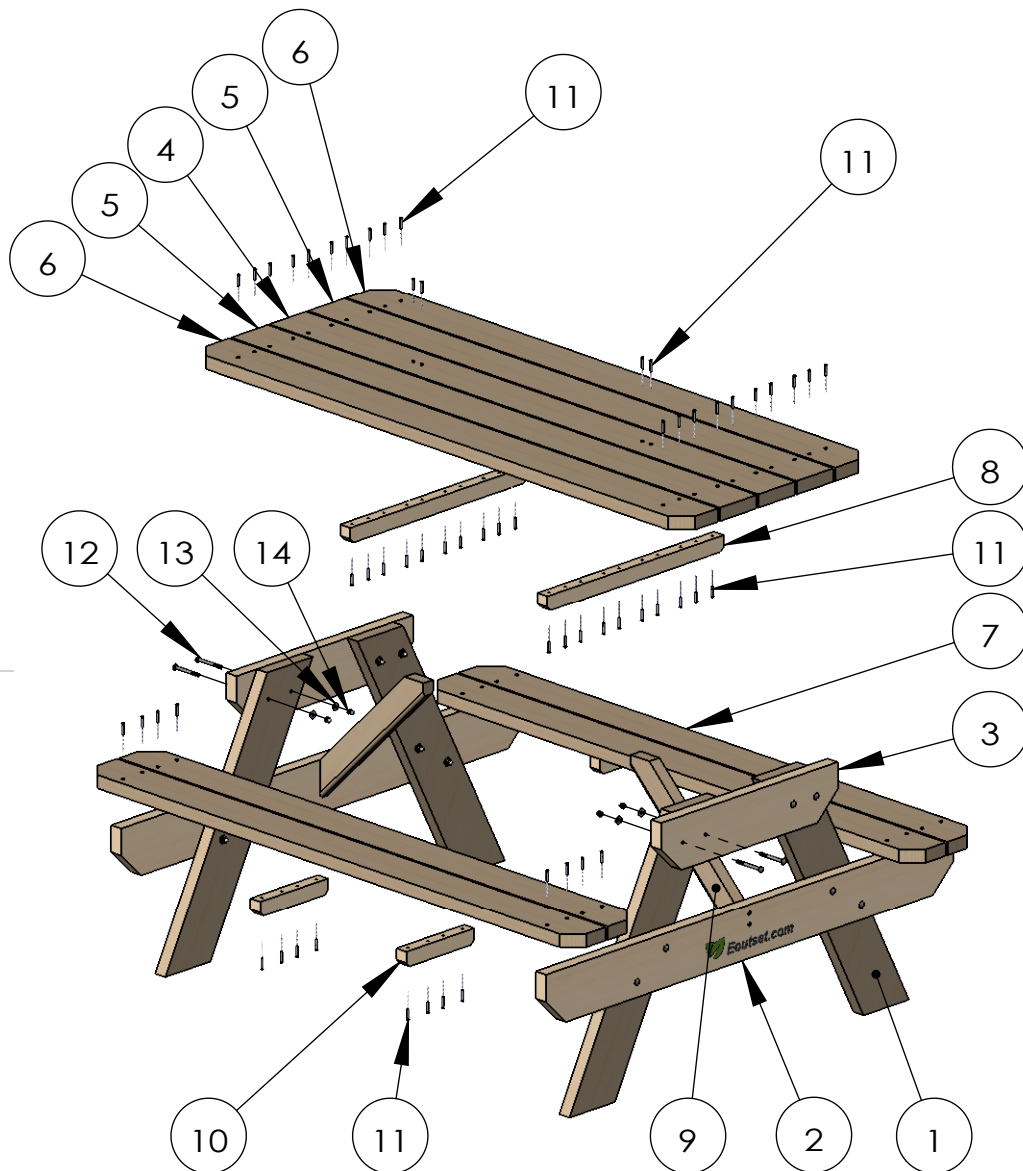


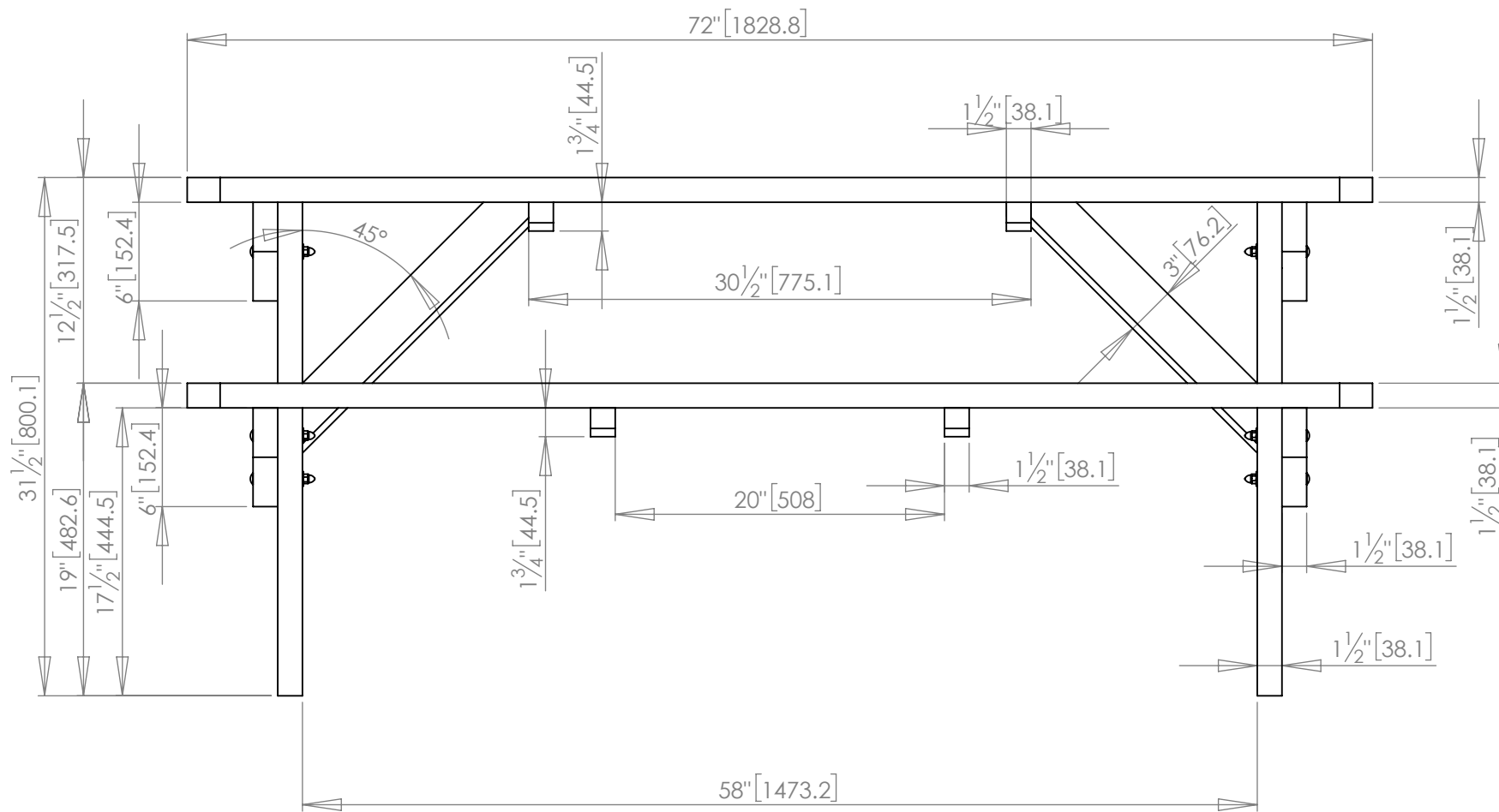
C:\01-drawing\0013-Picnic Table Plan\Picnic Table Plan



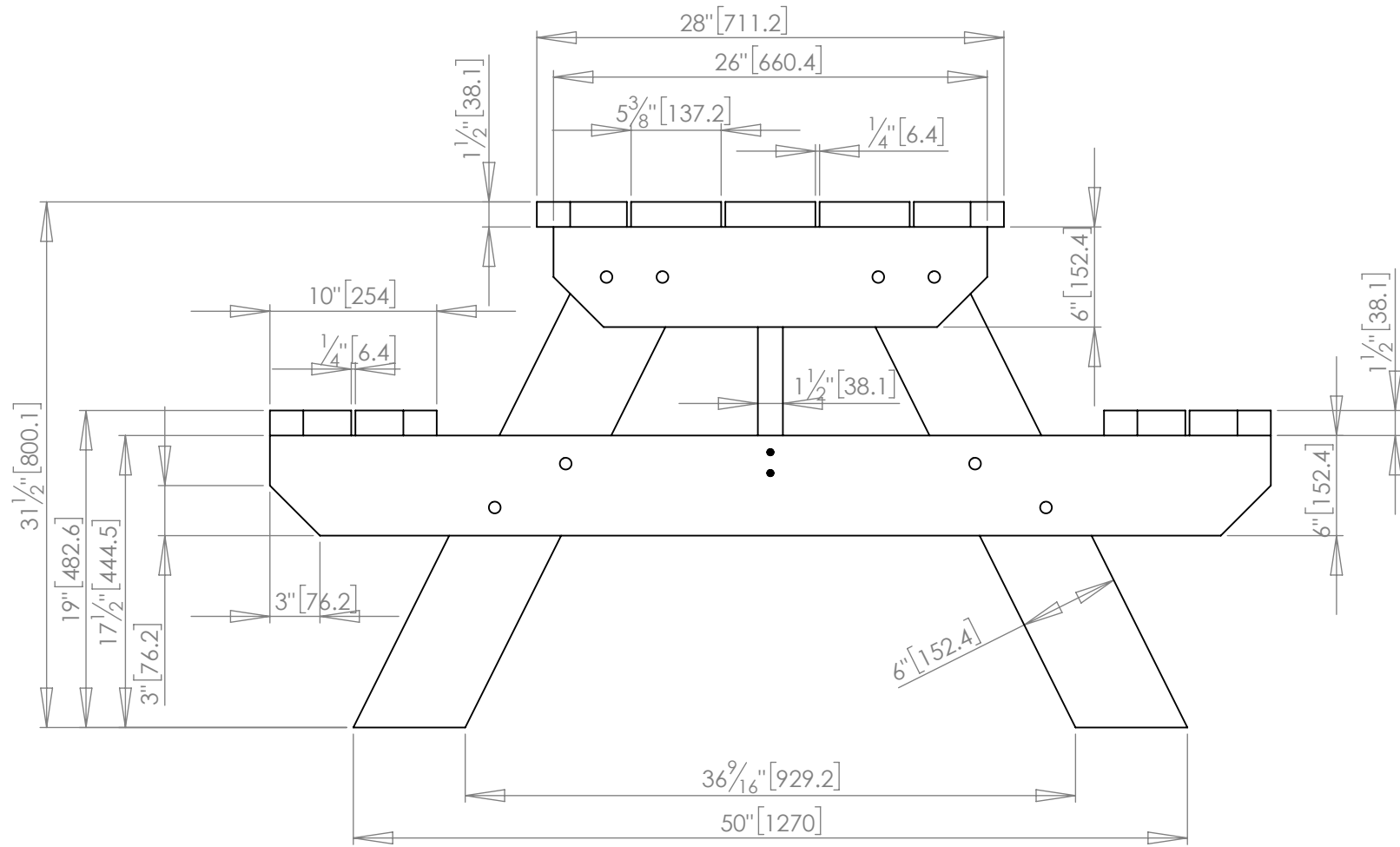
NO.	PART NUMBER	DESCRIPTION	Default/QTY.	TH	W	L	Material	Volume inches^3
1	Part1	Leg	4	1 1/2"	6"	36 9/16"	Pine	301.41
2	Part2	Seat Support	2	1 1/2"	6"	60"	Pine	525.94
3	Part3	Batten	2	1 1/2"	6"	26"	Pine	220.04
4	Part4	Table Top Boards-a	1	1 1/2"	5 3/8"	72"	Pine	582.80
5	Part5	Table Top Boards-b	2	1 1/2"	5 3/8"	72"	Pine	583.00
6	Part6	Table Top Boards-c	2	1 1/2"	5 3/8"	72"	Pine	577.00
7	Part7	Seat Boards	4	1 1/2"	4 7/8"	72"	Pine	520.30
8	Part8	Table Cleat	2	1 1/2"	1 3/4"	26"	Pine	67.29
9	Part9	Brace	2	1 1/2"	3"	23 11/16"	Pine	89.88
10	Part10	Set Cleat	4	1 1/2"	1 3/4"	10"	Pine	25.64
11	screw M5 x 80 (#10 x 3in. Flat Head)	Wood Screw Phillips Flat Head #10 x 3"	80				Steel	
12	RHSSNBOLT 0.3125-18x3.5x1-S	Round Head Bolt 5/16-Inch x 3-1/2-Inch	16				Steel	
13	Regular FW 0.3125	Regular Flat Washer 5/16-Inch	16				Steel	
14	AHCNUT 0.3125-18-S	Acorn High Crown Nut 5/16-Inch	16				Steel	

Web Site:		www.Eoutset.com	
NAME	DATE	MATERIAL:	
Bright Bai	2016/2/21		
Created Date: 2016/2/21 14:05:03		FINISH:	
Last Save Date: 2016/2/21 15:00:30		Volume: 8110.79 inches^3	
Author Email: brightbai@hotmail.com		Weight: 99.92 pounds	

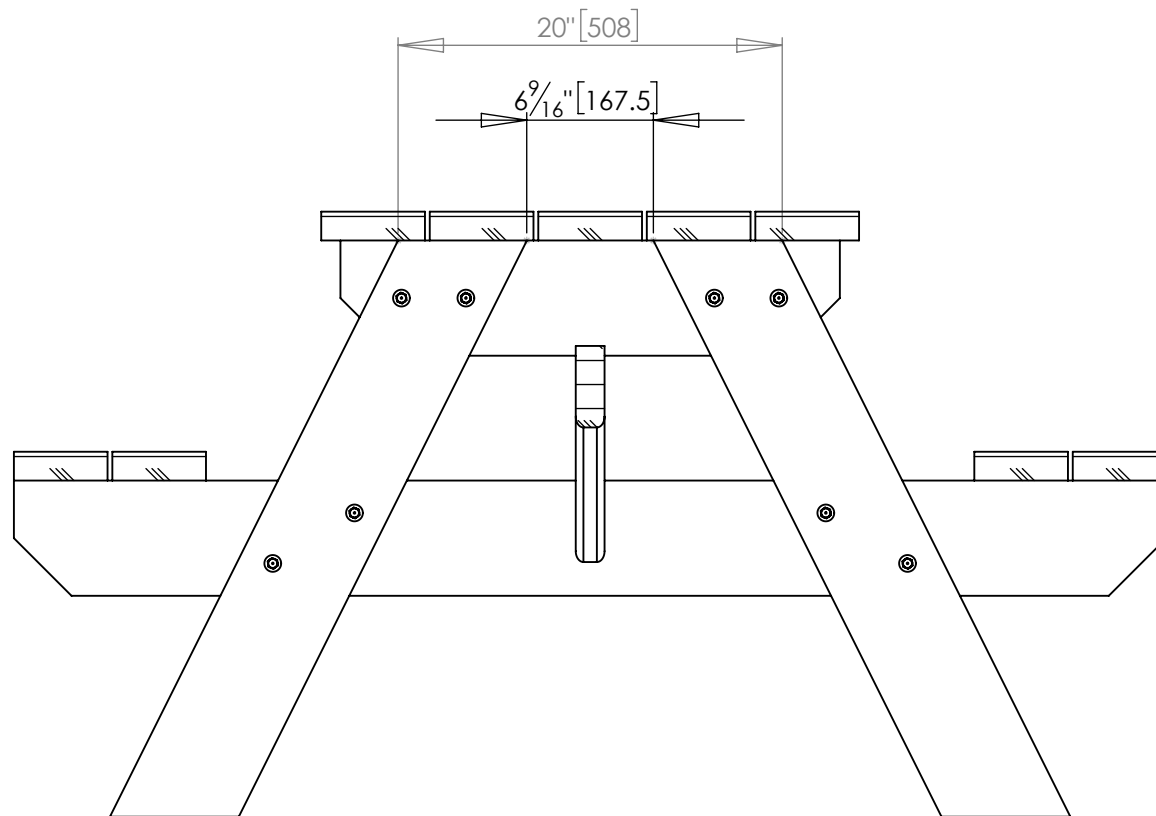
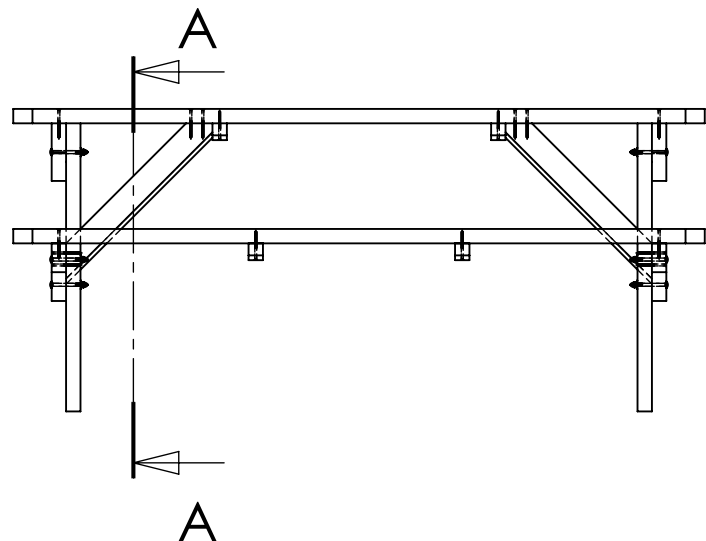
TITLE:		<h1>Assembly Drawing</h1>	
DWG NO.			
Picnic Table Plan		A4	
SCALE: 1:20	SHEET 1 OF 7	REVISION	



Web Site: www.Eoutset.com			TITLE:	
			<h1>Assembly Drawing</h1>	
DRAWN	NAME	DATE		
	Bright Bai	2016/2/21		
Created Date: 2016/2/21 14:05:03			FINISH:	
Last Save Date: 2016/2/21 15:00:30			Volume: 8110.79 inches^3	
Author Email: brightbai@hotmail.com			Weight: 99.92 pounds	
			DWG NO.	REVISION
			<h2>Picnic Table Plan</h2>	
			SCALE: 1:10	A4
			SHEET 2 OF 7	

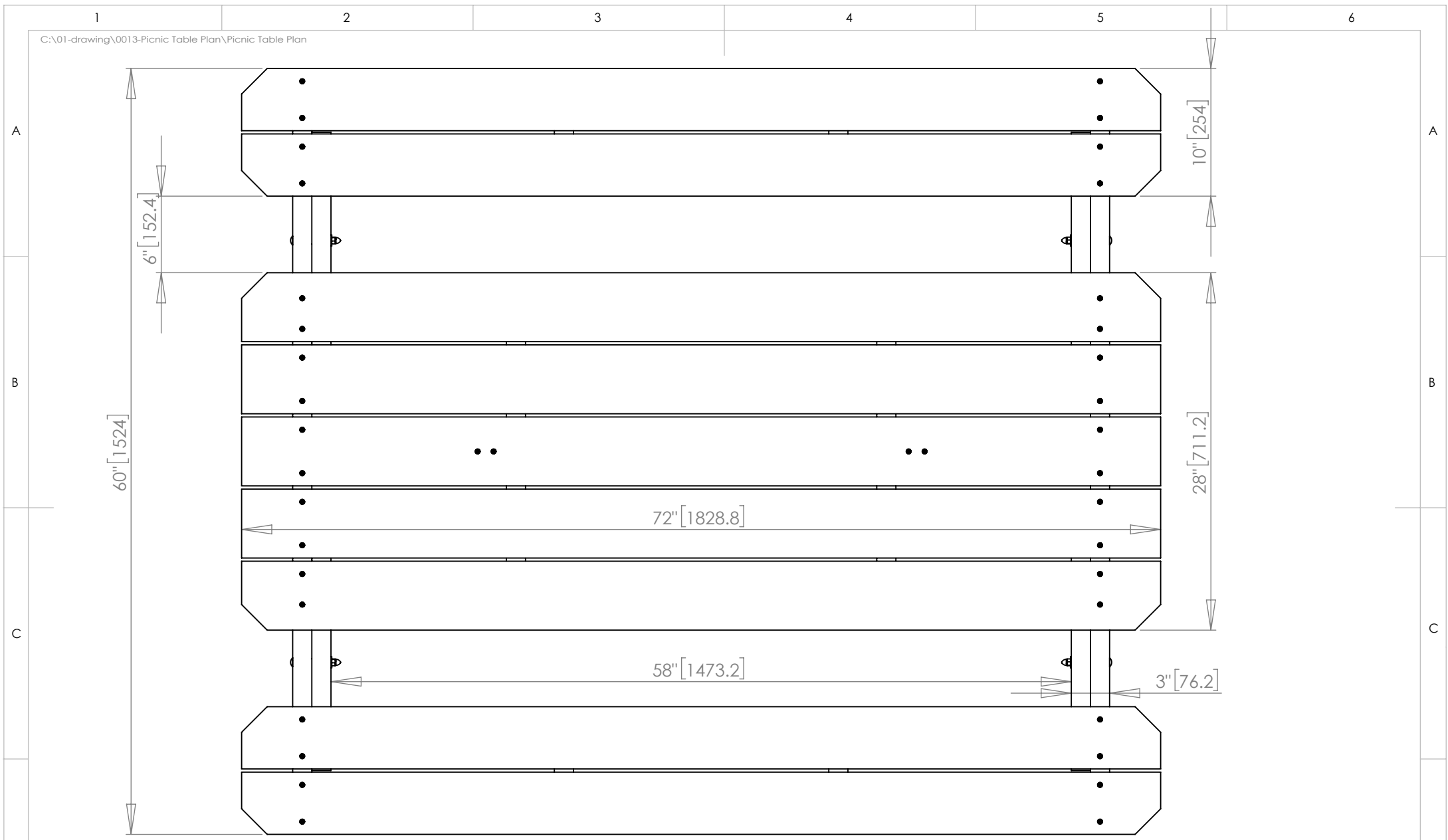


Web Site: www.Eoutset.com			TITLE: Assembly Drawing	
DRAWN	NAME	DATE	MATERIAL:	
Bright Bai	Bright Bai	2016/2/21		
Created Date: 2016/2/21 14:05:03			FINISH:	
Last Save Date: 2016/2/21 15:00:30			Volume: 8110.79 inches^3	
Author Email: brightbai@hotmail.com			Weight: 99.92 pounds	
DWG NO.			A4	
Picnic Table Plan			REVISION	
SCALE: 1:10			SHEET 3 OF 7	

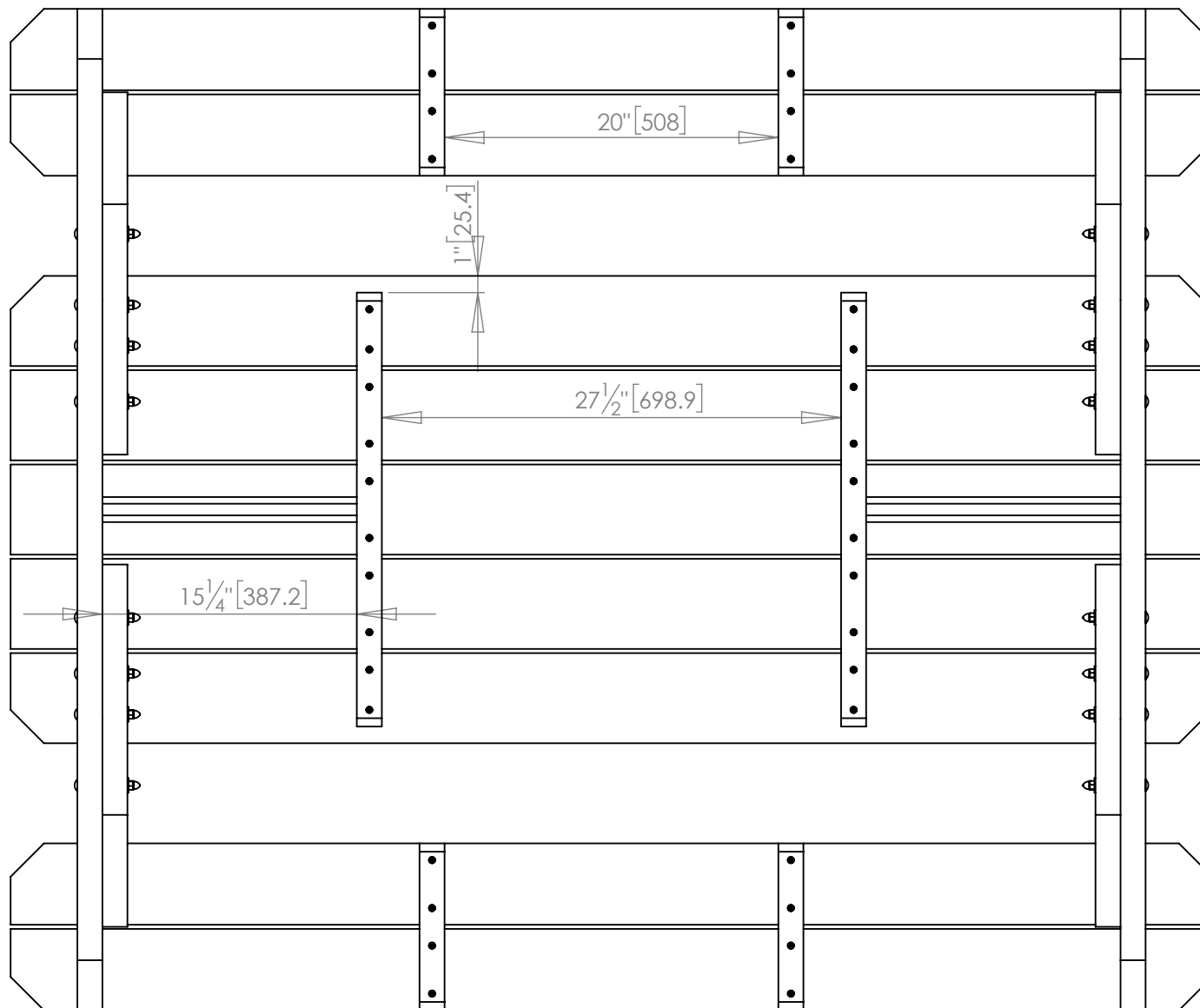


SECTION A-A
SCALE 1 : 10

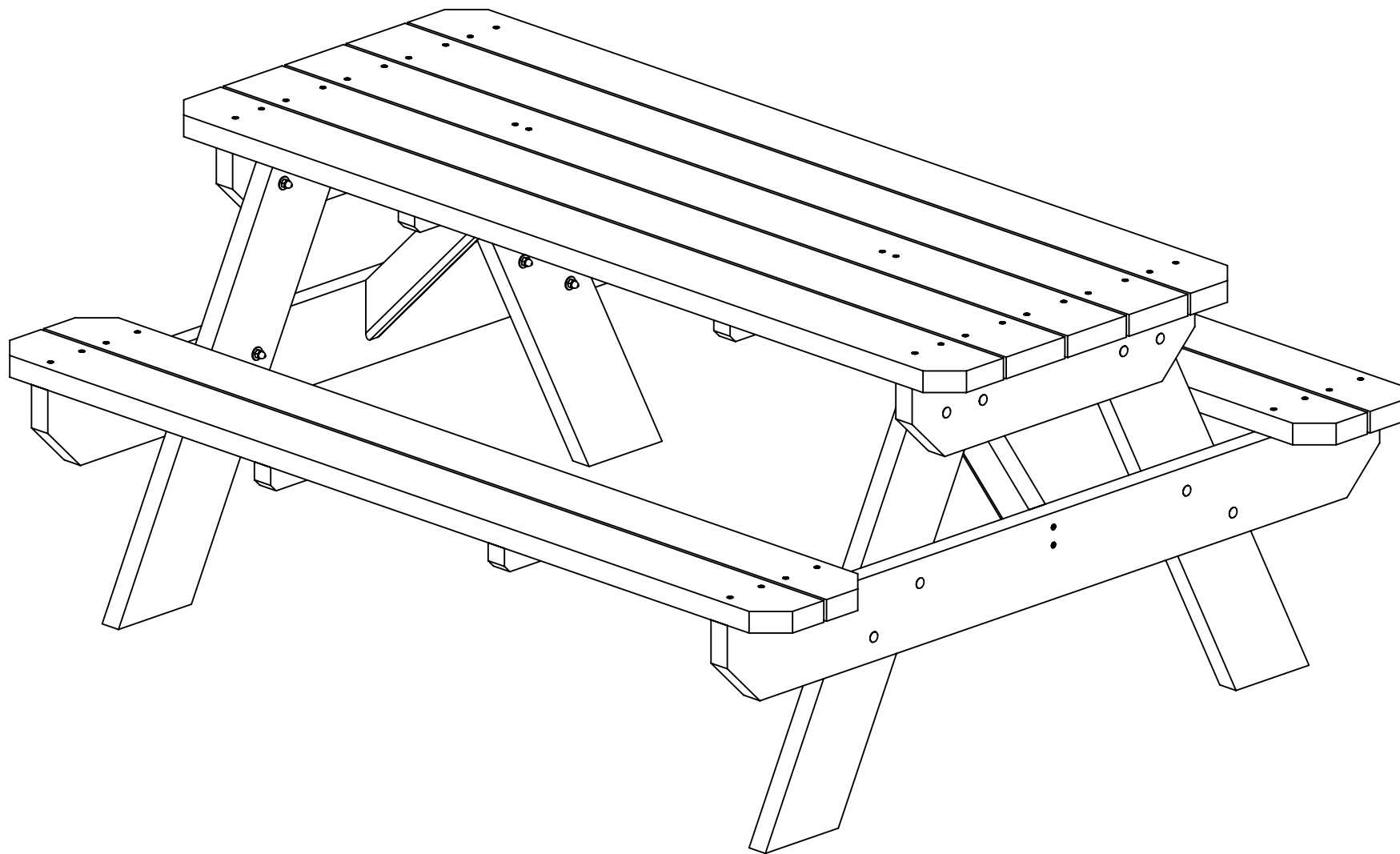
Web Site: www.Eoutset.com			TITLE:		
DRAWN: Bright Bai			Assembly Drawing		
NAME	DATE	MATERIAL:			
Created Date: 2016/2/21 14:05:03	2016/2/21	FINISH:	DWG NO. Picnic Table Plan		A4
Last Save Date: 2016/2/21 15:00:30		Volume: 8110.79 inches^3	SCALE: 1:50		SHEET 4 OF 7
Author Email: brightbai@hotmail.com		Weight: 99.92 pounds	REVISION		



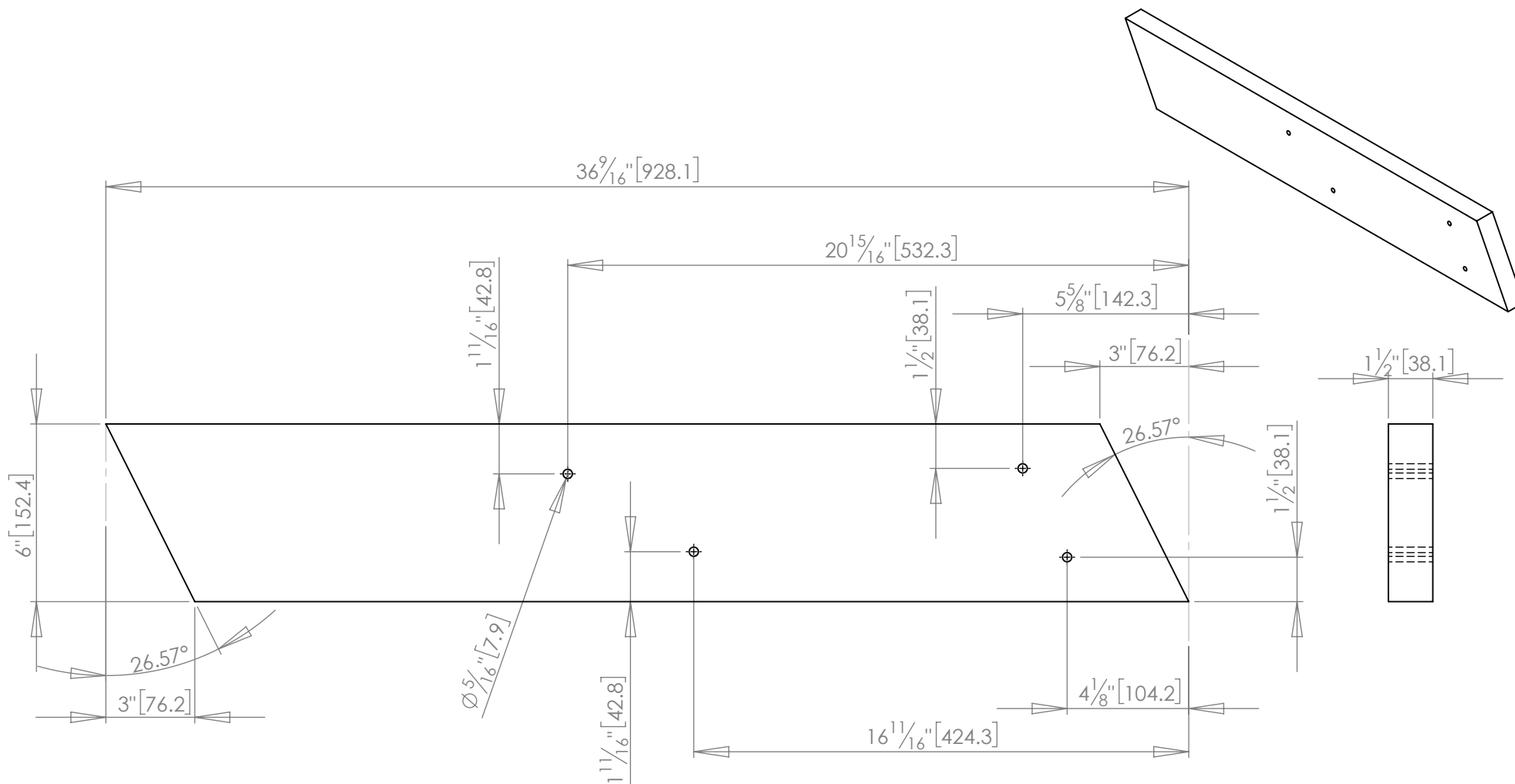
Web Site: www.Eoutset.com			TITLE:	
			Assembly Drawing	
DRAWN	NAME Bright Bai	DATE 2016/2/21		
Created Date: 2016/2/21 14:05:03		FINISH:		DWG NO.
Last Save Date: 2016/2/21 15:00:30		Volume: 8110.79 inches^3		Picnic Table Plan
Author Email: brightbai@hotmail.com		Weight: 99.92 pounds		A4
SCALE: 1:10			SHEET 5 OF 7	
REVISION				



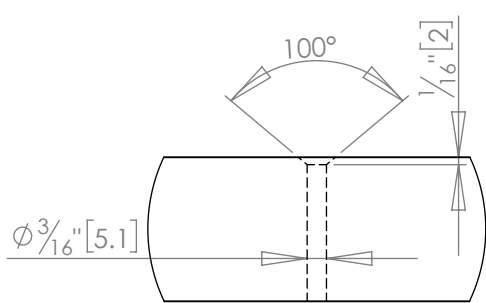
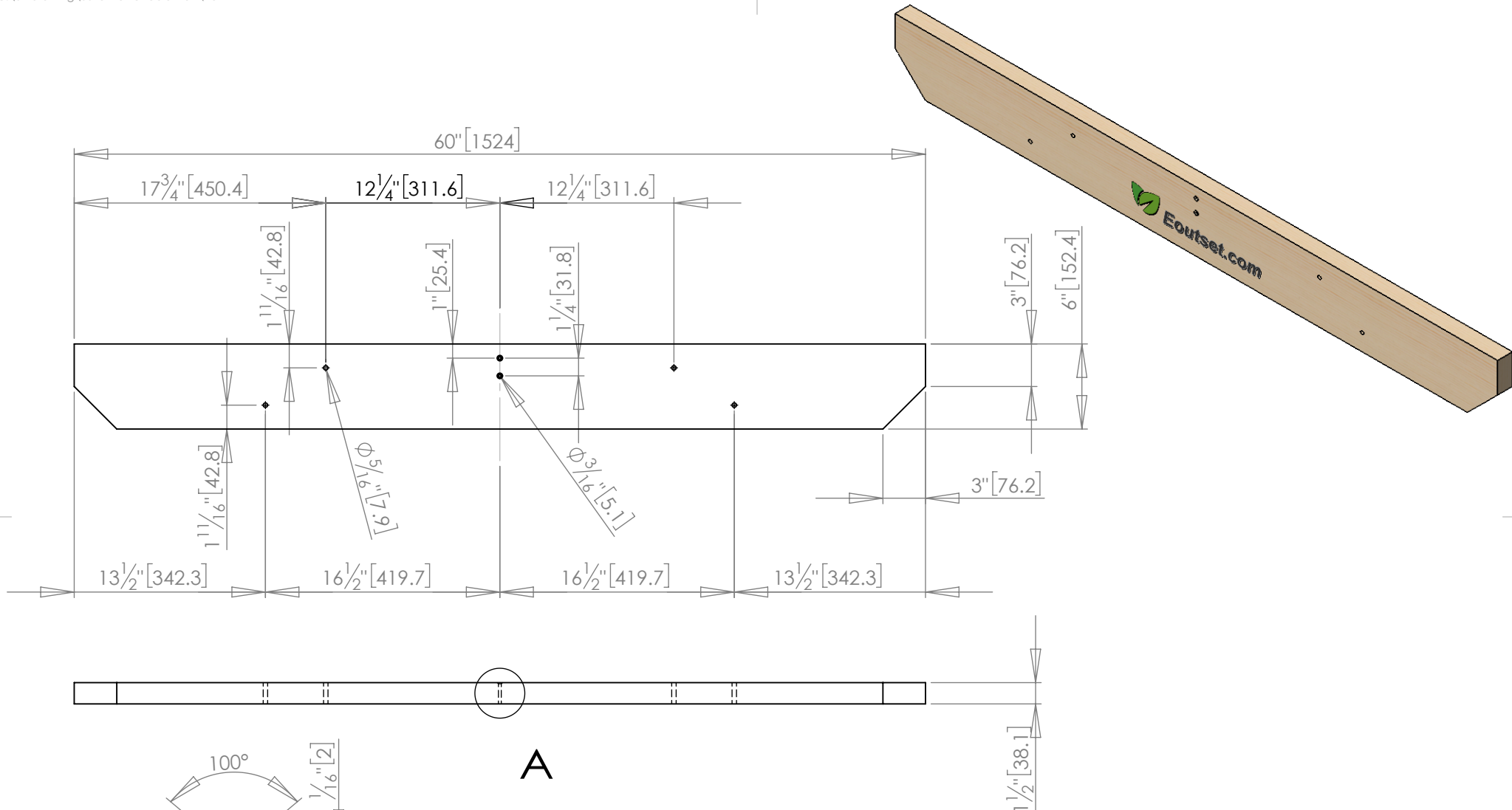
Web Site: www.Eoutset.com			TITLE: Assembly Drawing	
DRAWN	NAME	DATE	MATERIAL:	
	Bright Bai	2016/2/21		
Created Date: 2016/2/21 14:05:03		FINISH:		
Last Save Date: 2016/2/21 15:00:30		Volume: 8110.79 inches^3		DWG NO. Picnic Table Plan
Author Email: brightbai@hotmail.com		Weight: 99.92 pounds		A4
SCALE: 1:10		SHEET 6 OF 7		REVISION



Web Site: www.Eoutset.com			TITLE: Assembly Drawing	
DRAWN	NAME Bright Bai	DATE 2016/2/21	MATERIAL:	
Created Date: 2016/2/21 14:05:03		FINISH:		DWG NO.
Last Save Date: 2016/2/21 15:00:30		Volume: 8110.79 inches^3		Picnic Table Plan
Author Email: brightbai@hotmail.com		Weight: 99.92 pounds		A4
SCALE: 1:10			SHEET 7 OF 7	
REVISION				



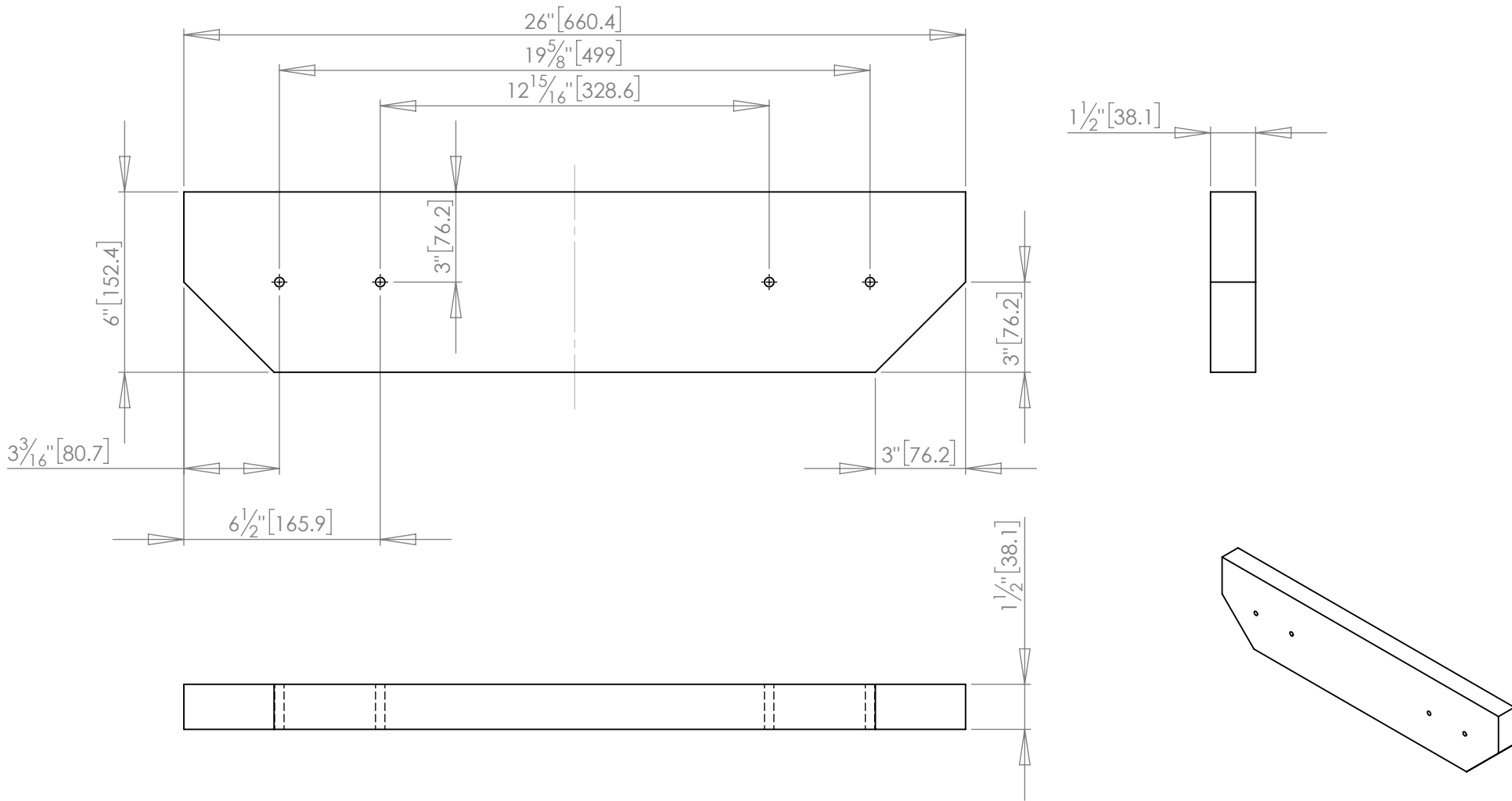
Web Site: www.Eoutset.com			TITLE: Leg		
DRAWN	NAME	DATE	MATERIAL:	DWG NO.	
	Bright Bai	2016/2/21	Pine		
Created Date: 2016/2/21 12:19:45			FINISH:	A4	
Last Save Date: 2016/2/21 12:26:37			Volume: 301.41 inches^3	Part1	
Author Email: brightbai@hotmail.com			Weight: 3.70 pounds	SCALE: 1:5	REVISION
			SHEET 1 OF 1		



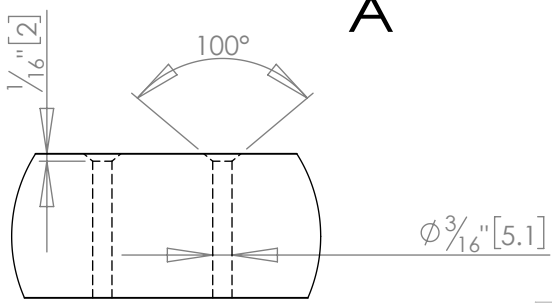
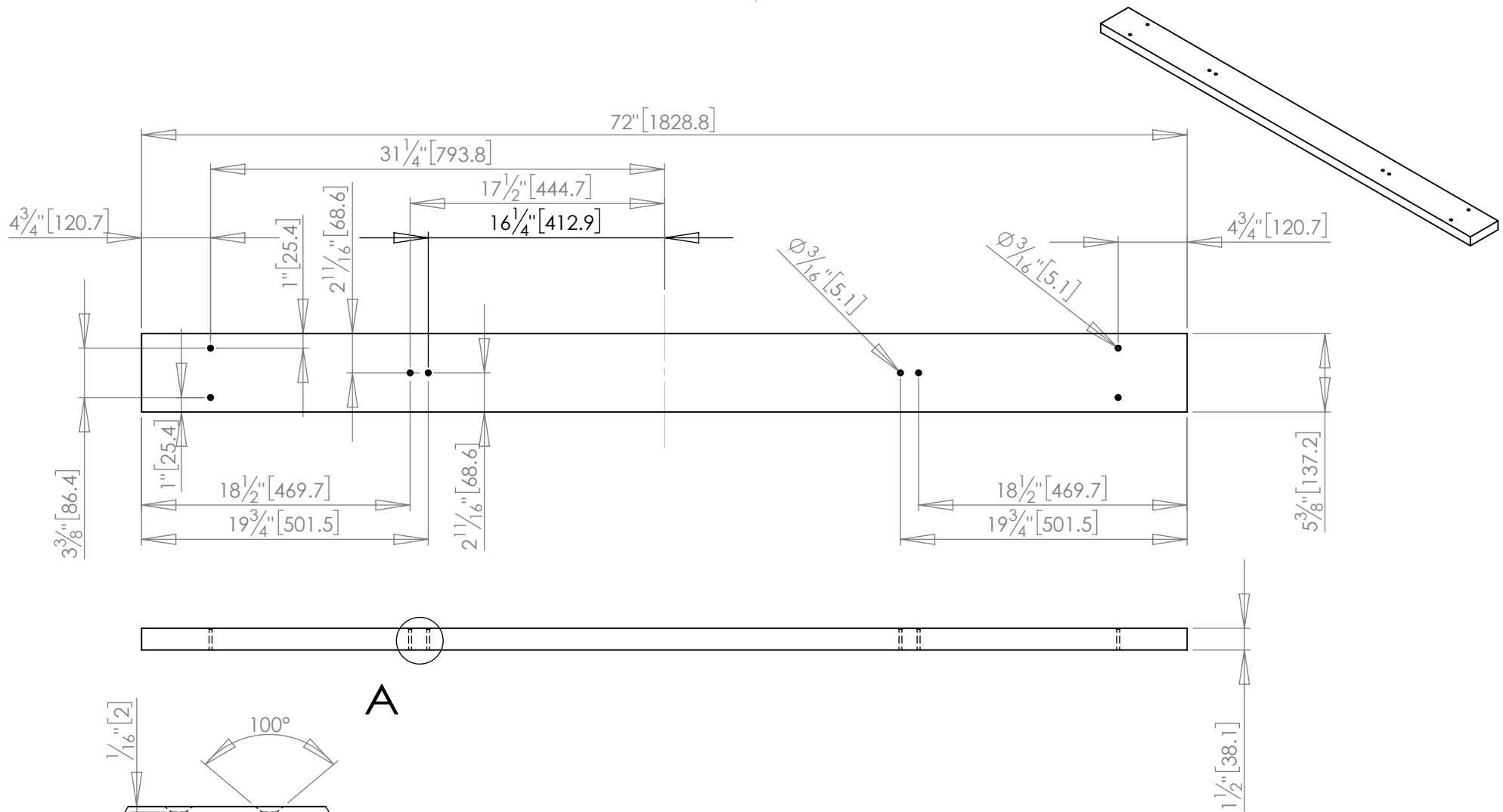
DETAIL A
SCALE 1 : 2

A

Web Site: www.Eoutset.com			TITLE: Seat Support	
DRAWN	NAME	DATE	MATERIAL: Pine	
	Bright Bai	2016/2/21		
Created Date: 2016/2/21 12:26:57			FINISH:	DWG NO.
Last Save Date: 2016/2/21 12:34:23			Volume: 525.94 inches^3	Part2
Author Email: brightbai@hotmail.com			Weight: 6.46 pounds	A4
			SCALE: 1:10	SHEET 1 OF 1
			REVISION	

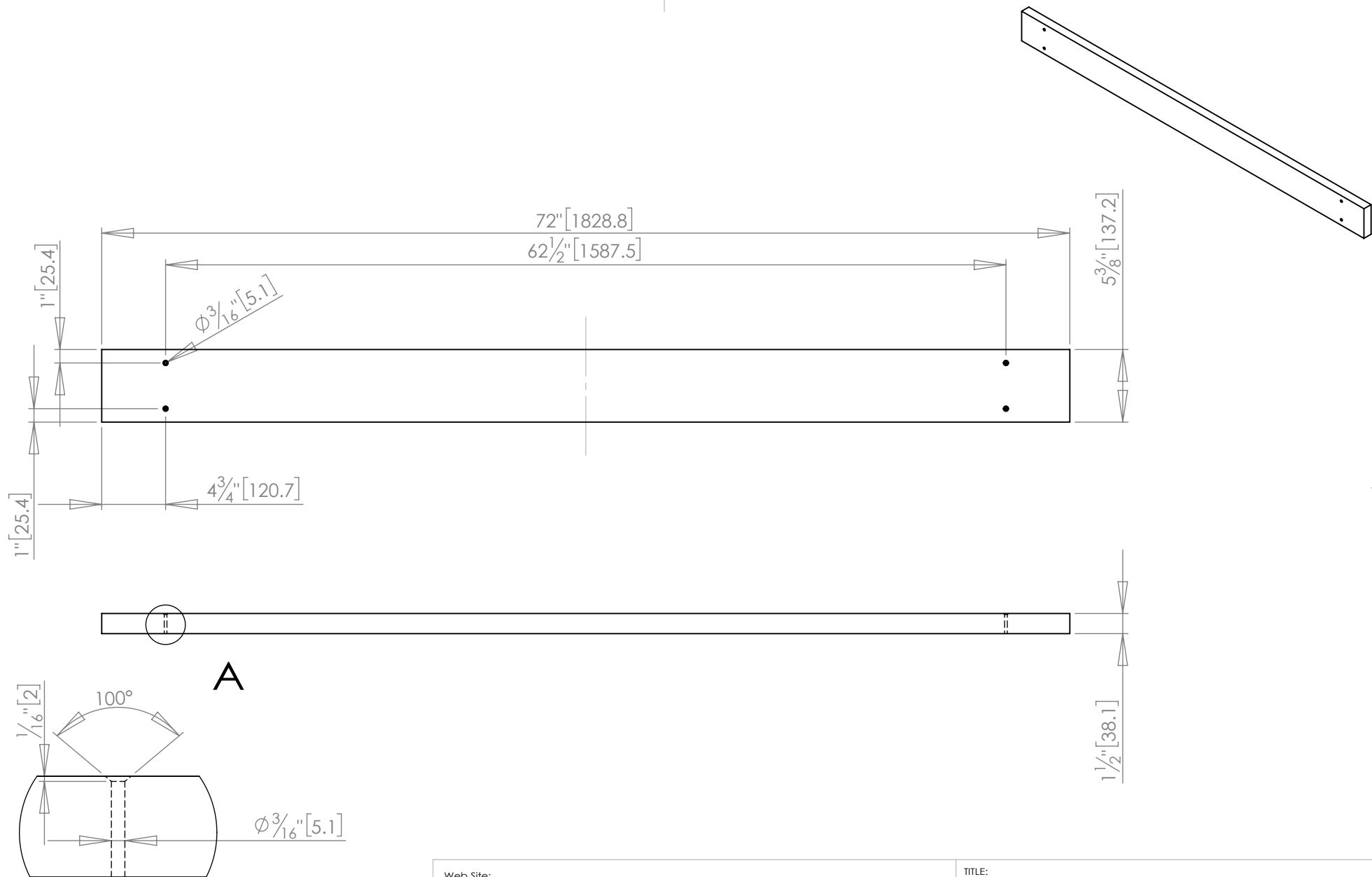


Web Site: www.Eoutset.com			TITLE: Batten	
DRAWN	NAME Bright Bai	DATE 2016/2/21	MATERIAL: Pine	
Created Date: 2016/2/21 12:34:34			FINISH:	DWG NO.
Last Save Date: 2016/2/21 12:37:25			Volume: 220.04 inches^3	Part3
Author Email: brightbai@hotmail.com			Weight: 2.70 pounds	A4
			SCALE: 1:5	SHEET 1 OF 1
			REVISION	



DETAIL A
SCALE 1 : 2

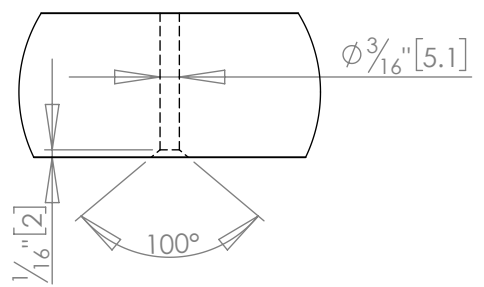
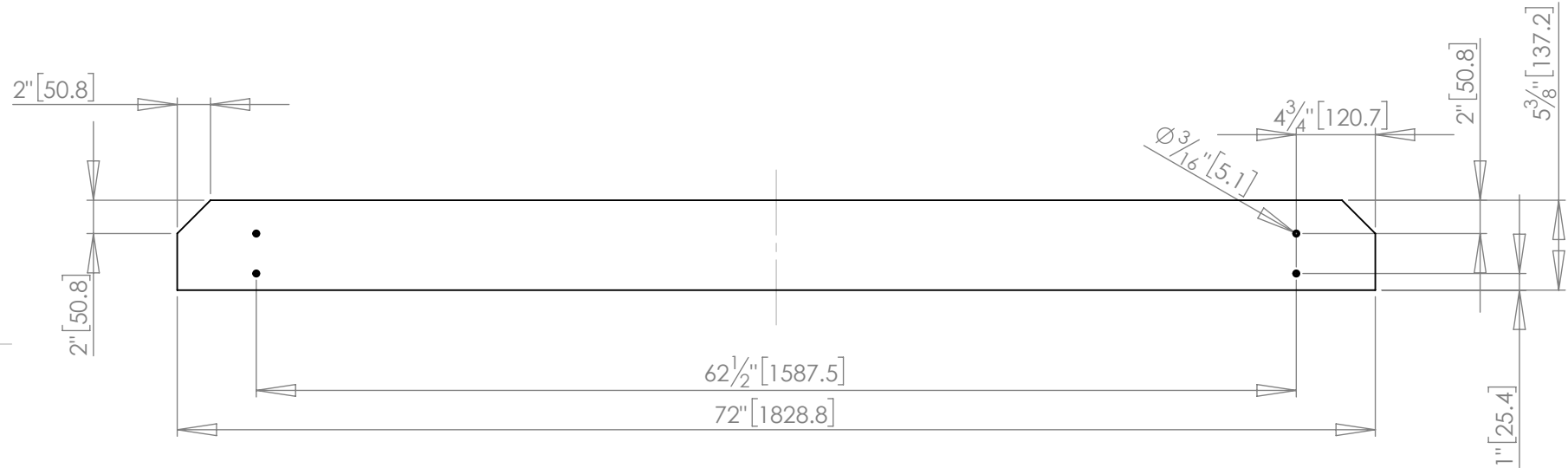
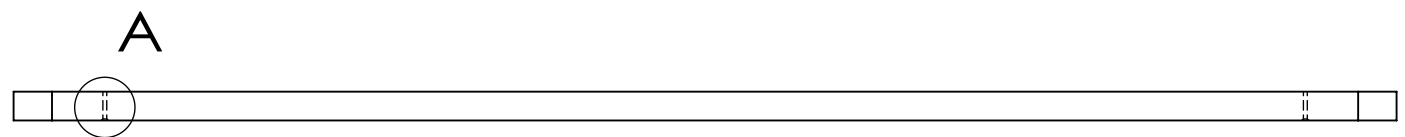
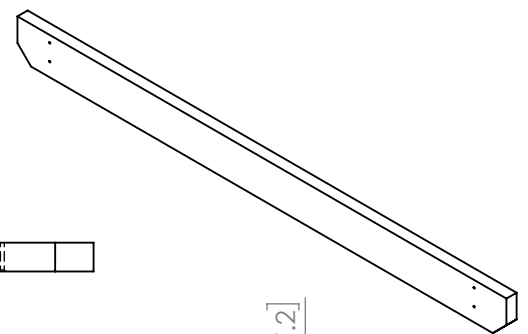
Web Site: www.Eoutset.com			TITLE: Table Top Boards-a	
DRAWN	NAME	DATE	MATERIAL: Pine	
	Bright Bai	2016/2/21		
Created Date: 2016/2/21 13:17:25			FINISH:	DWG NO.
Last Save Date: 2016/2/21 13:24:19			Volume: 582.80 inches^3	Part4
Author Email: brightbai@hotmail.com			Weight: 7.16 pounds	A4
			SCALE: 1:10	SHEET 1 OF 1
			REVISION	



DETAIL A
SCALE 1 : 2

Web Site: www.Eoutset.com			TITLE: Table Top Boards-b	
DRAWN	NAME	DATE	MATERIAL: Pine	
	Bright Bai	2016/2/21		
Created Date: 2016/2/21 13:23:09			FINISH:	DWG NO.
Last Save Date: 2016/2/21 13:36:20			Volume: 583.00 inches^3	Part5
Author Email: brightbai@hotmail.com			Weight: 7.16 pounds	A4
			SCALE: 1:10	SHEET 1 OF 1
			REVISION	

A
B
C
D



DETAIL A
SCALE 1 : 2

Web Site: www.Eoutset.com			TITLE: Table Top Boards-c		
DRAWN	NAME	DATE	MATERIAL: Pine		
	Bright Bai	2016/2/21	DWG NO. Part6		
Created Date: 2016/2/21 13:27:45			FINISH:		A4
Last Save Date: 2016/2/21 13:45:46			Volume: 577.00 inches^3		REVISION
Author Email: brightbai@hotmail.com			Weight: 7.09 pounds		SCALE: 1:10
			SHEET 1 OF 2		

A

A

B

B

C

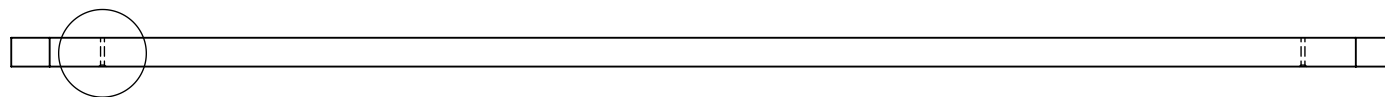
C

D

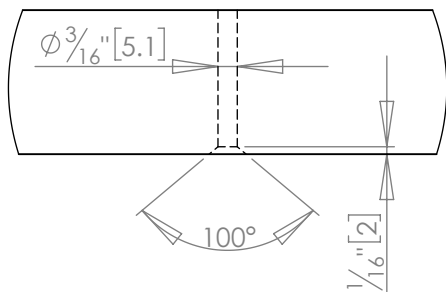
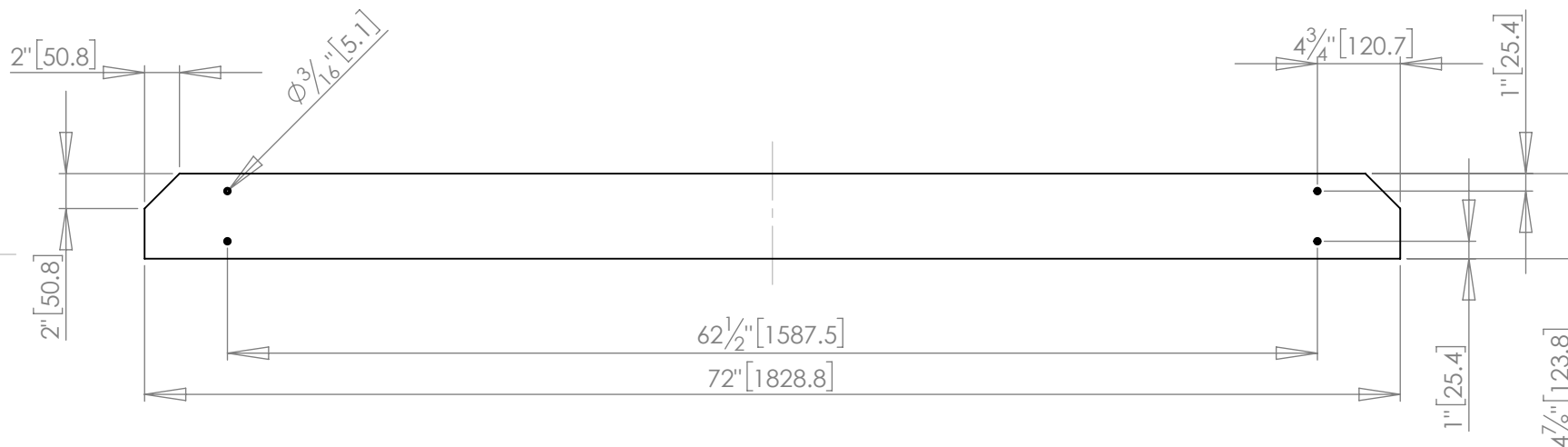
1:1



Web Site: www.Eoutset.com			TITLE: Table Top Boards-c		
	NAME	DATE	MATERIAL:		
DRAWN	Bright Bai	2016/2/21	Pine		
Created Date: 2016/2/21 13:27:45			FINISH:	DWG NO. Part6	
Last Save Date: 2016/2/21 13:45:46			Volume: 577.00 inches^3	A4	
Author Email: brightbai@hotmail.com			Weight: 7.09 pounds	SCALE: 1:1	SHEET 2 OF 2
			REVISION		



A



DETAIL A
SCALE 1 : 2

Web Site: www.Eoutset.com			TITLE: Seat Boards	
DRAWN	NAME	DATE	MATERIAL: Pine	
	Bright Bai	2016/2/21		
Created Date: 2016/2/21 13:36:56			FINISH:	DWG NO.
Last Save Date: 2016/2/21 13:42:31			Volume: 520.30 inches^3	Part7
Author Email: brightbai@hotmail.com			Weight: 6.39 pounds	A4
			SCALE: 1:10	REVISION
			SHEET 1 OF 2	

A

A

B

B

C

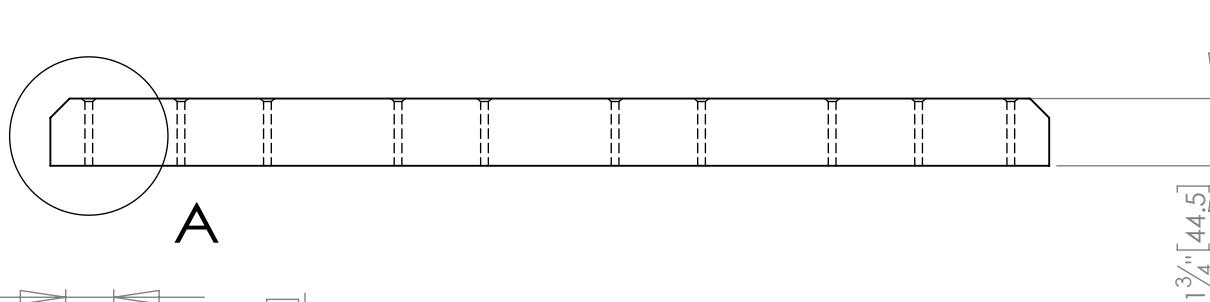
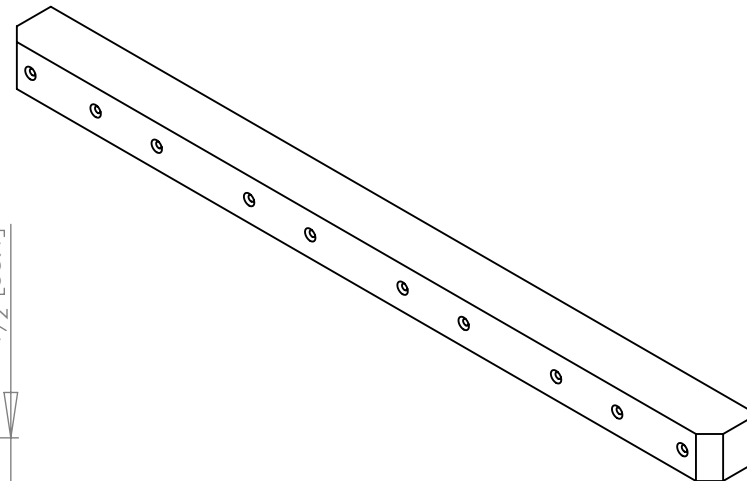
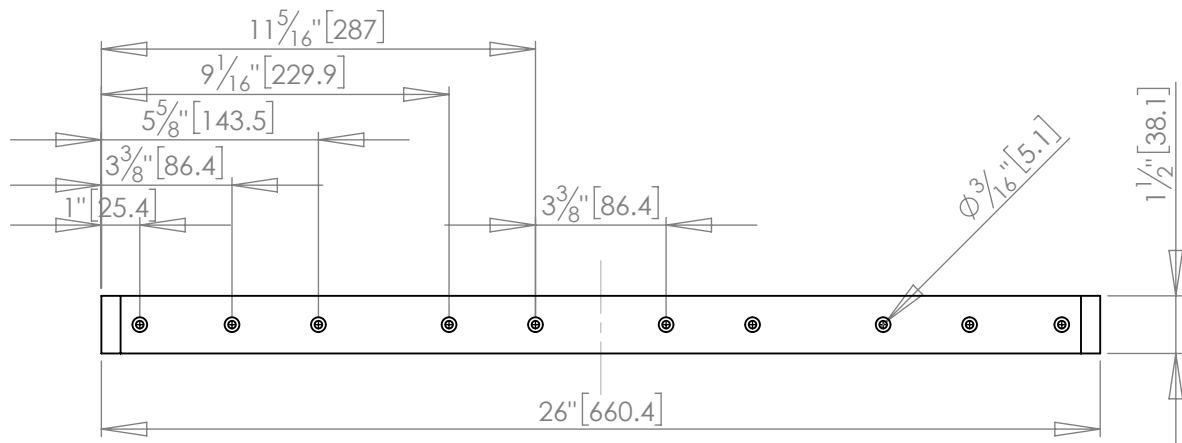
C

D

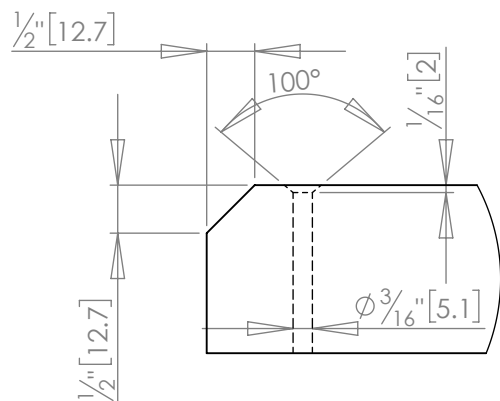
1:1



Web Site: www.Eoutset.com			TITLE: Seat Boards		
	NAME	DATE	MATERIAL:		
DRAWN	Bright Bai	2016/2/21	Pine		
Created Date: 2016/2/21 13:36:56			FINISH:	DWG NO. Part7	
Last Save Date: 2016/2/21 13:42:31			Volume: 520.30 inches^3	A4	
Author Email: brightbai@hotmail.com			Weight: 6.39 pounds	SCALE: 1:1	SHEET 2 OF 2
			REVISION		



A



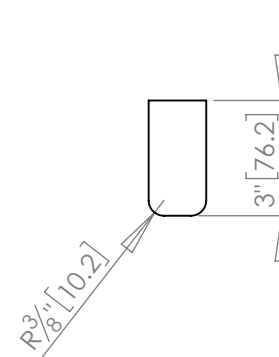
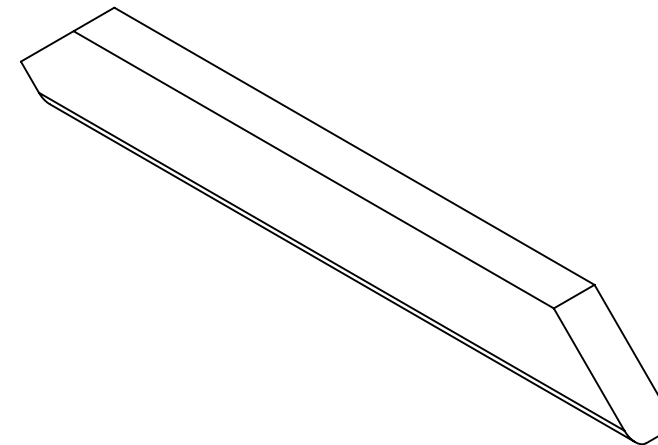
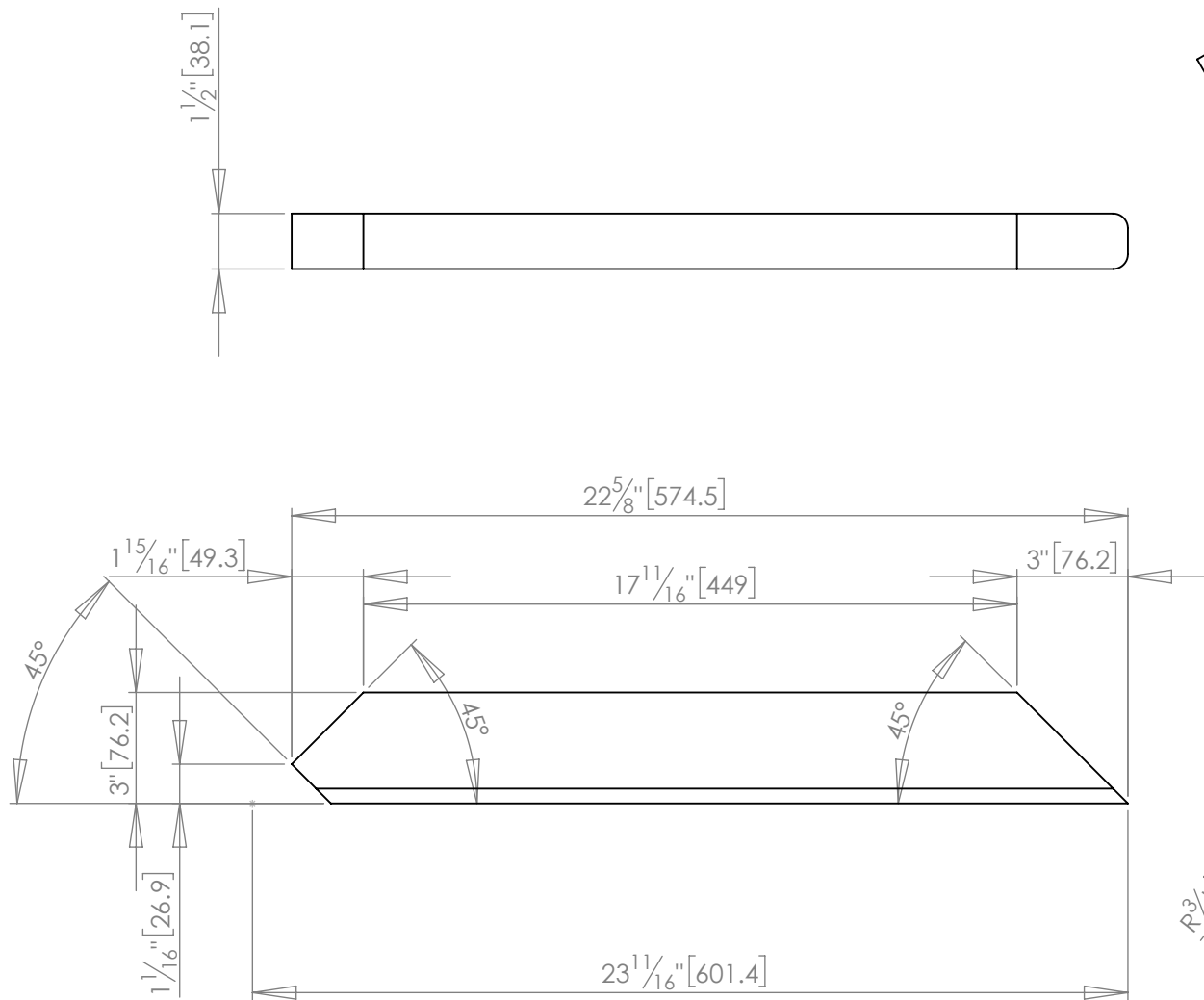
DETAIL A
SCALE 1 : 2

Web Site: www.Eoutset.com			TITLE: Table Cleat	
DRAWN	NAME	DATE	MATERIAL:	DWG NO.
	Bright Bai	2016/2/21	Pine	
Created Date: 2016/2/21 13:46:18			FINISH:	Part8
Last Save Date: 2016/2/21 13:51:30			Volume: 67.29 inches^3	
Author Email: brightbai@hotmail.com			Weight: 0.83 pounds	A4
			SCALE: 1:5	REVISION

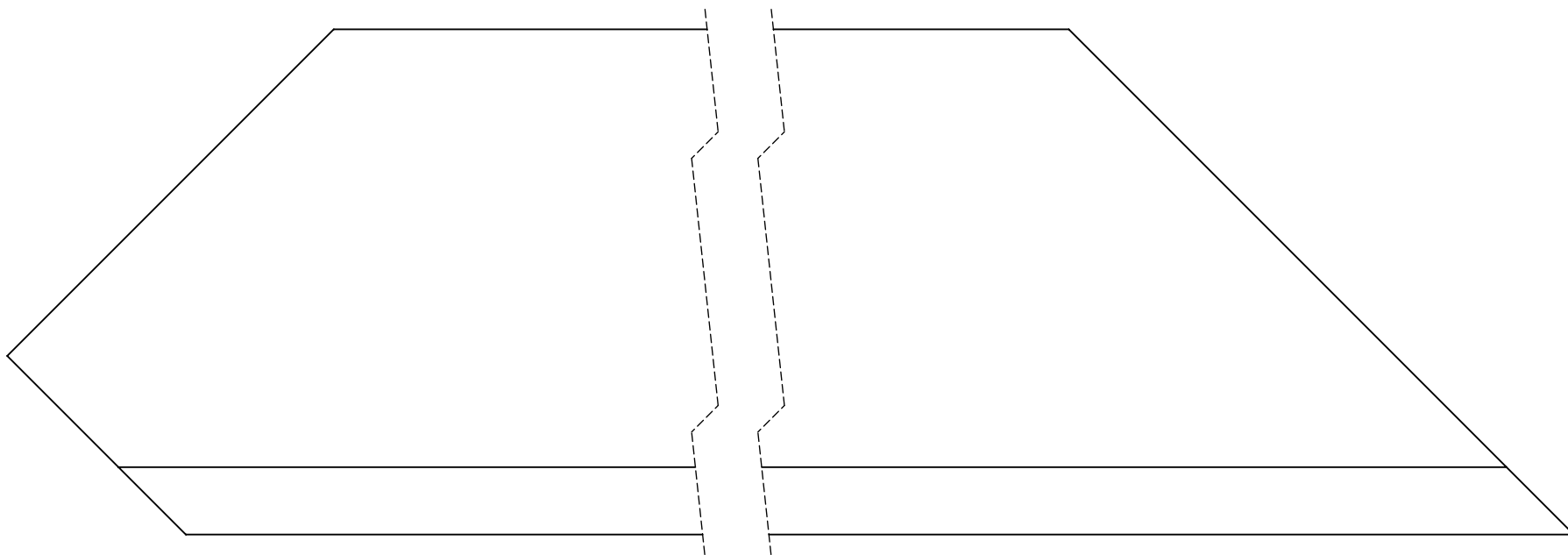
Part8

SHEET 1 OF 1

REVISION

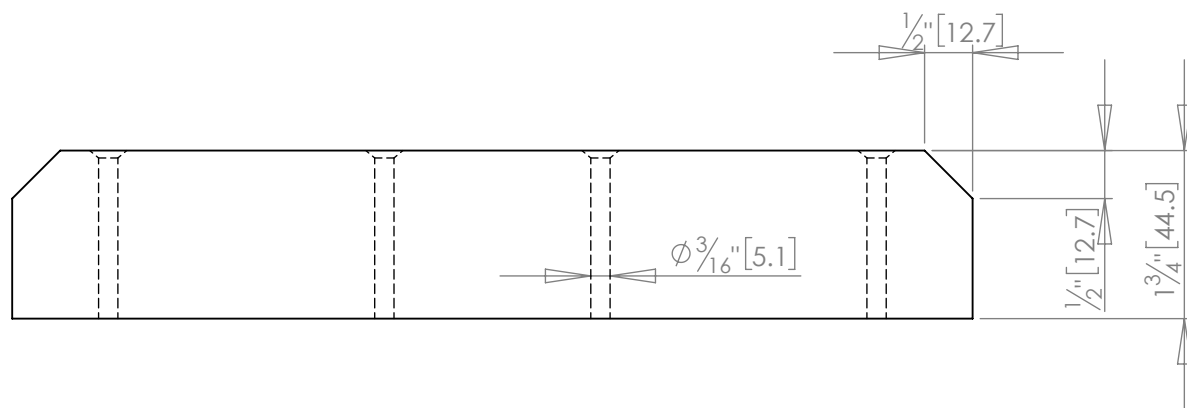
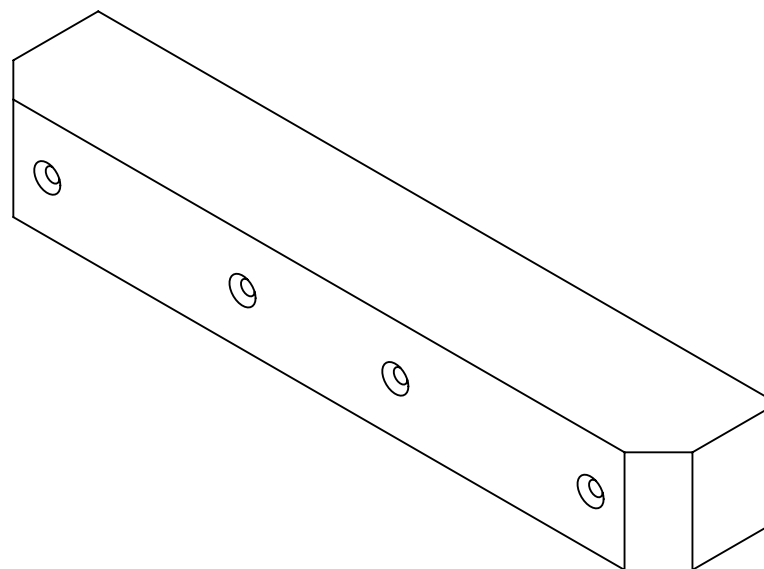
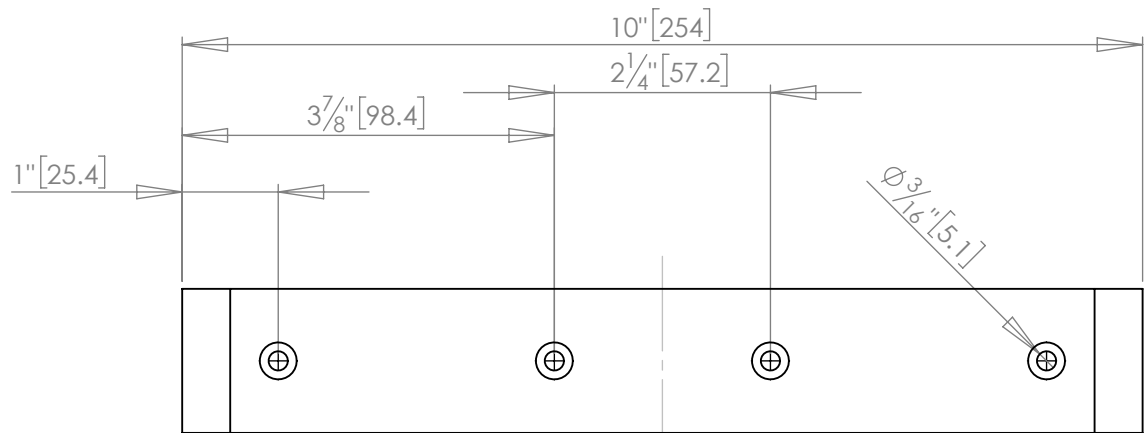


Web Site: www.Eoutset.com			TITLE: Brace		
DRAWN	NAME	DATE	MATERIAL: Pine		
	Bright Bai	2016/2/21	DWG NO. Part9		
Created Date: 2016/2/21 13:52:09			FINISH:		A4
Last Save Date: 2016/2/21 13:59:07			Volume: 89.88 inches^3		
Author Email: brightbai@hotmail.com			Weight: 1.10 pounds		SCALE: 1:5
			SHEET 1 OF 2		REVISION



1:1

Web Site: www.Eoutset.com			TITLE: Brace		
DRAWN	NAME Bright Bai	DATE 2016/2/21	MATERIAL: Pine		DWG NO. Part9
Created Date: 2016/2/21 13:52:09		FINISH:		A4	
Last Save Date: 2016/2/21 13:59:07		Volume: 89.88 inches^3			SCALE: 1:1
Author Email: brightbai@hotmail.com			Weight: 1.10 pounds		REVISION



Web Site: www.Eoutset.com			TITLE: Set Cleat	
DRAWN	NAME	DATE	MATERIAL:	Part10
	Bright Bai	2016/2/21	Pine	
Created Date: 2016/2/21 13:59:37			FINISH:	DWG NO. A4
Last Save Date: 2016/2/21 14:03:37			Volume: 25.64 inches^3	SCALE: 1:2
Author Email: brightbai@hotmail.com			Weight: 0.31 pounds	SHEET 1 OF 1
				REVISION