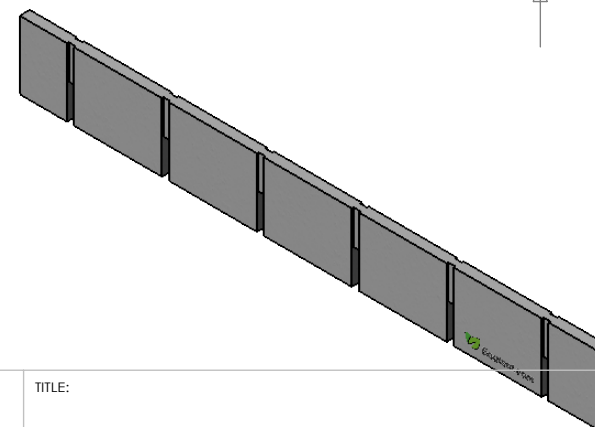
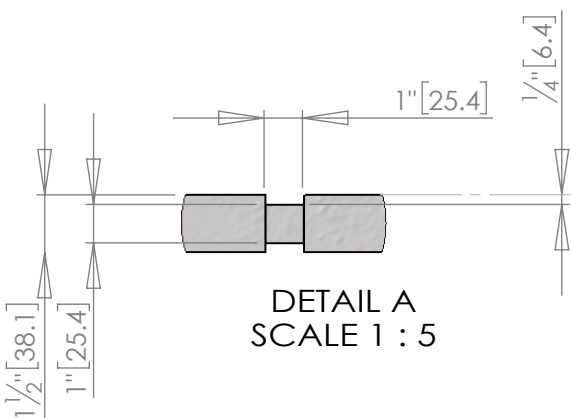
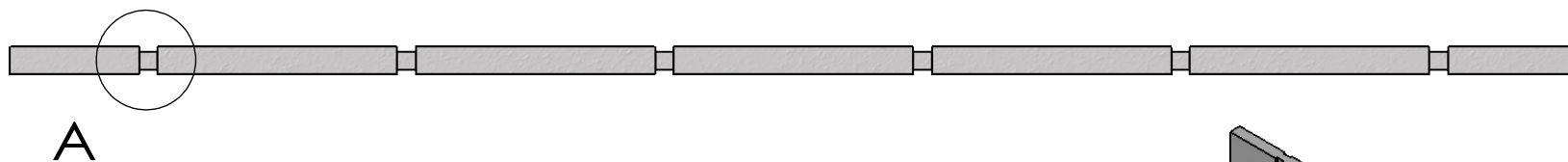
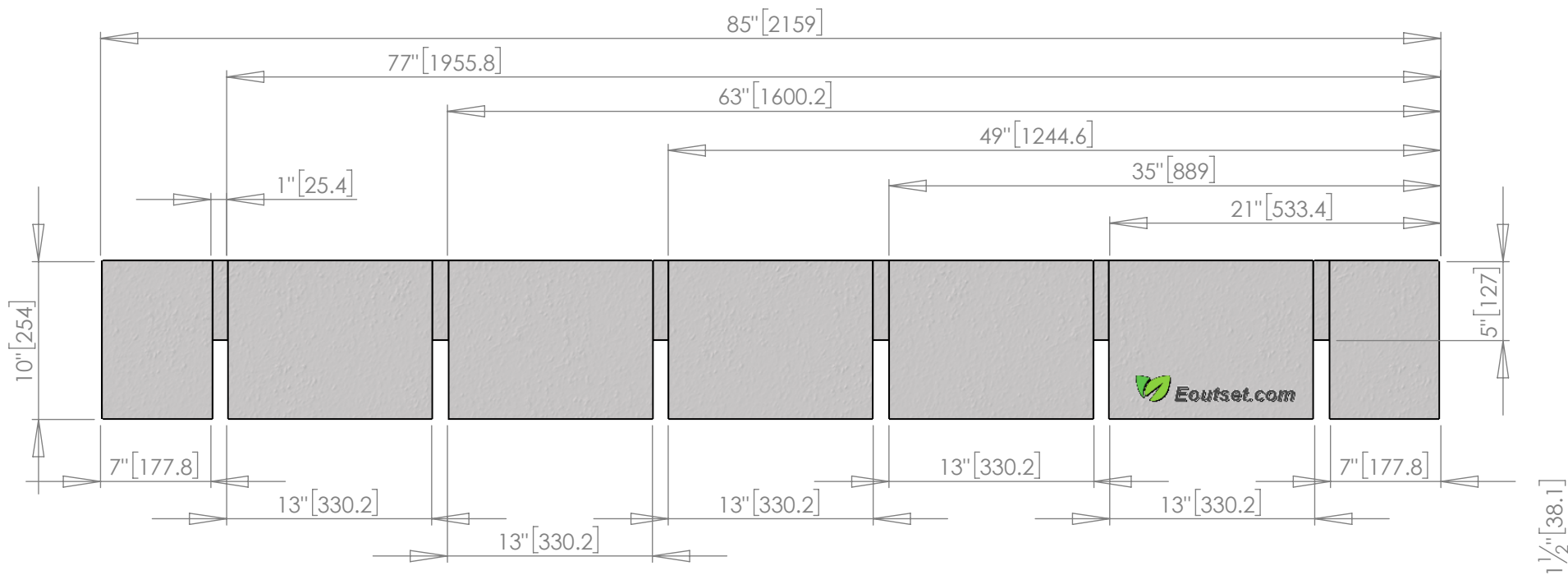
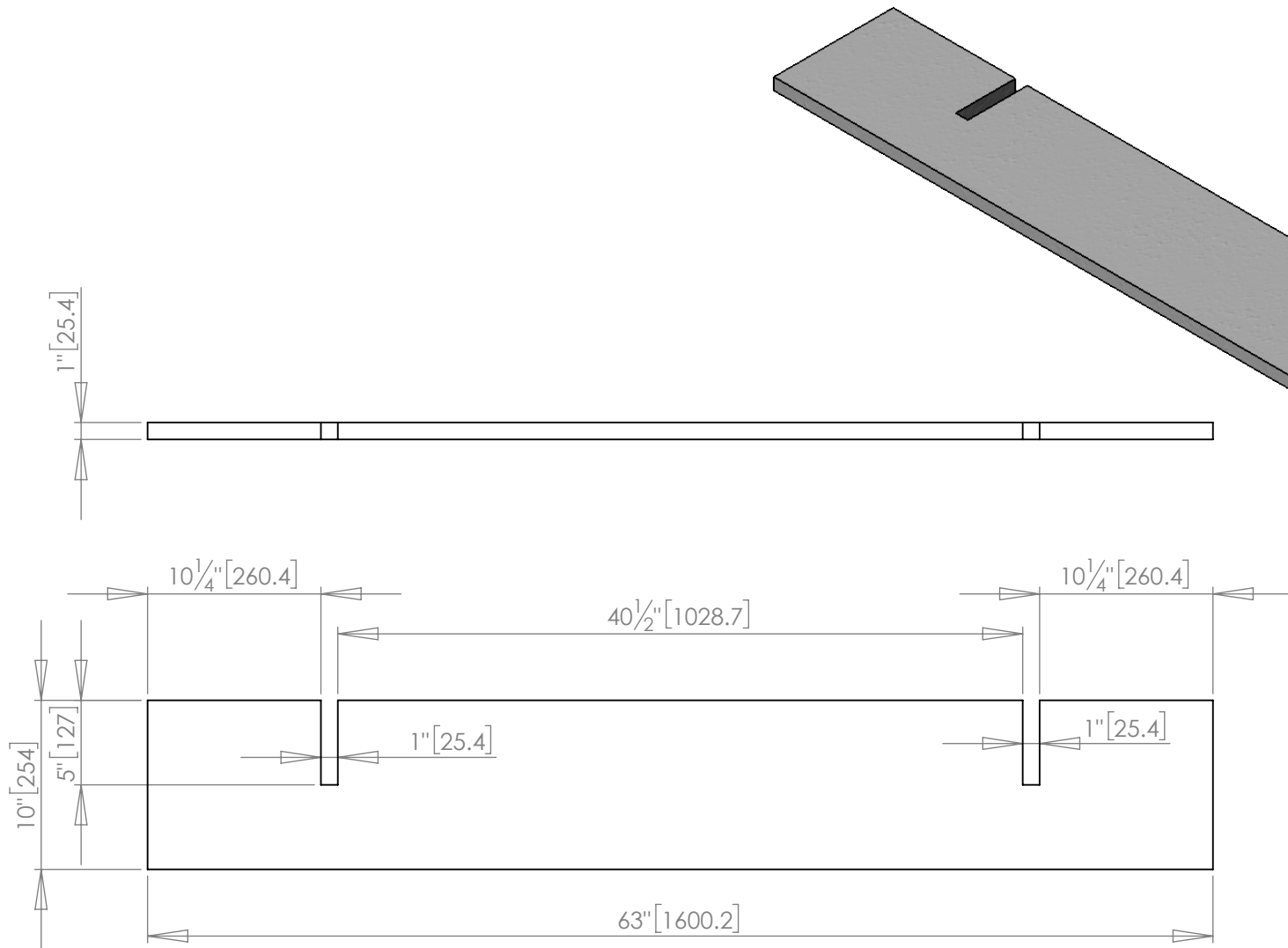


NO.	PART NUMBER	DESCRIPTION	Default/QTY.	TH	W	L	Material	Volume inches^3
1	Part1	Verticals	2	1 1/2"	10"	85"	Cedar	1215.00
2	Part2	Shelf	6	1"	10"	63"	Cedar	620.00
3	30mm x 30mm Corner Brace Joint Right Angle Bracket	1.2" x 1.2" x 0.063"	2	0.063"	1.2"	1.2"	Plain Carbon Steel	0.09
4	screw M4 x 25 (#8 x 1in. Flat Head)	Wood Screw Phillips Flat Head #8 x 1"	2				Steel	
5	screw M4 x 40 (#8 x 1-1,2in. Flat Head)	Wood Screw Phillips Flat Head #8 x 1-1/2"	2				Steel	

Web Site: www.Eoutset.com			TITLE: <h1>Assembly Drawing</h1>		
DRAWN	NAME Bright Bai	DATE 2016/1/23	MATERIAL:		
Created Date: 2016/1/23 14:23:56		FINISH:		DWG NO.	
Last Save Date: 2016/1/23 14:26:25		Volume: 6150.26 inches^3		Knockdown White Bookshelves Plan	
Author Email: brightbai@hotmail.com		Weight: 104.48 pounds		A4	
SCALE: 1:2			SHEET 1 OF 1		REVISION



Web Site: www.Eoutset.com			TITLE: Verticals		
DRAWN	NAME	DATE	MATERIAL:	DWG NO.	Part1
	Bright Bai	2016/1/23	Cedar		
Created Date: 2016/1/23 14:11:34			FINISH:	A4	
Last Save Date: 2016/1/23 14:19:14			Volume: 1215.00 inches^3		
Author Email: brightbai@hotmail.com			Weight: 20.63 pounds	SCALE: 1:10	SHEET 1 OF 1
				REVISION	



Web Site: www.Eoutset.com			TITLE: Shelf		
DRAWN	NAME	DATE	MATERIAL:	DWG NO.	
	Bright Bai	2016/1/23	Cedar	Part2	
Created Date: 2016/1/23 14:19:32			FINISH:	A4	
Last Save Date: 2016/1/23 14:23:11			Volume: 620.00 inches^3	SCALE: 1:10	
Author Email: brightbai@hotmail.com			Weight: 10.53 pounds	SHEET 1 OF 1	REVISION